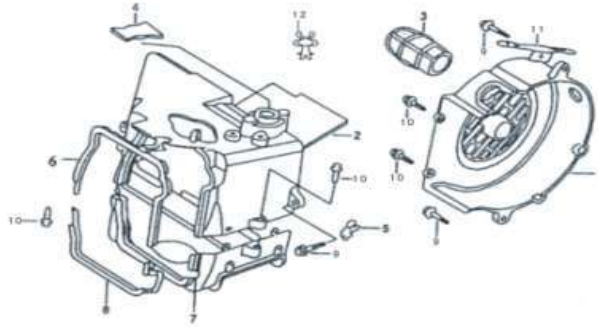


IMPORTANT NOTICE !!!! PRICES QUOTED ARE INCLUSIVE OF VAT AND EX JHB.
 PRICES MAY VARY FROM DEALER TO DEALER. PRICES MAY CHANGE WITHOUT NOTICE.

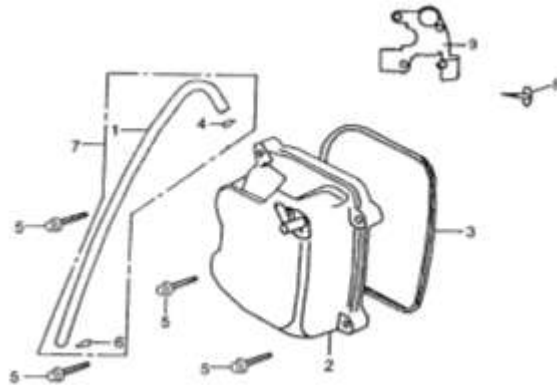
FAN COVER.SHIELD



Ref	Code	Part No.	Description	Quantity	Price Incl
E1-1	LTC-1-032-2	16021	COVER,COOLING FAN COMP.	1	
E1-2	LTC-1-556-2	16020	COVER,TOP PROTECT	1	
E1-3	LTC-1-032-3	17267	TUBE,CARBURETOR COOLING	1	
E1-4	LTC-1-556-3	11050	PLUG,RUBBER	1	
E1-5	LTC-1-032-10	38094	CLAMP,OVERFLOW TUBE	1	
E1-6	LTC-1-550-3	16051	GASKET,TOP PROTECT COVER	1	
E1-7	LTC-1-560-2	16020	COVER,LOWER PROTECT	1	
E1-8	LTC-1-550-4	16051	GASKET,LOWER PROTECT COVER	1	
E1-9	LTC-1-032-11	38014	BOLT,FLANGE,M6*25	3	
E1-10	LTC-1-004-1	38031	SCREW,TAPPING,ST4.8*16	4	
E1-11	LTC-1-032-12	38094	CLAMP,STARTING MOTOR	1	
E1-12	LTC-1-032-9	38094	CLAMP,COIL	1	

IMPORTANT NOTICE !!!! PRICES QUOTED ARE INCLUSIVE OF VAT AND EX JHB.
 PRICES MAY VARY FROM DEALER TO DEALER. PRICES MAY CHANGE WITHOUT NOTICE.

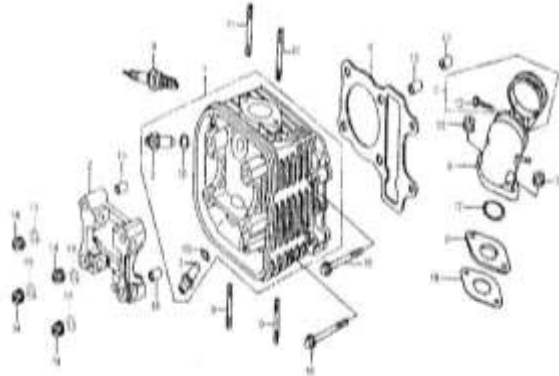
ROCKER COVER



Ref	Code	Part No.	Description	Quantity	Price Incl
E2-1	LTC-1-007-50	38074	TUBE,BREATHER	1	
E2-2	LTC-1-020-15	12022	COVER COMP.,CYLINDER HEAD	1	
E2-3	LTC-1-573-15	38084	GASKET,CYLINDER HEAD COVER	1	
E2-4	LTC-4-009-5	38095	CLAMP,TUBE	1	
E2-5	LTC-1-582-2	38014	BOLT,M6*25	4	
E2-6	LTC-4-009-5	38095	CLAMP,TUBE	1	
E2-7	SEE ITEM 1	11027	TUBE,BREATHER ASSY.	1	
E2-8	LTC-9-020-8	38031	SCREW,ST4.2*8	4	
E2-9	LTC-1-020-17	38094	PLATE,BREATHER TUBE	1	

**IMPORTANT NOTICE !!!! PRICES QUOTED ARE INCLUSIVE OF VAT AND EX JHB.
PRICES MAY VARY FROM DEALER TO DEALER. PRICES MAY CHANGE WITHOUT NOTICE.**

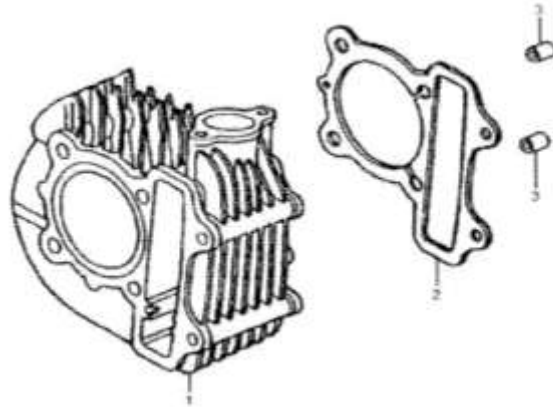
CYLINDER HEAD ASSEMBLY



Ref	Code	Part No.	Description	Quantity	Price Incl
E3-1	LTC-1-047-150	12008	HEAD COMP.,CYLINDER	1	
E3-2	LTC-1-020-16	14054	HOLDER,CAMSHAFT	1	
E3-3	LTC-1-047-14	12012	GUIDE,VALVE	2	
E3-4	LTC-1-048-150	12015	GASKET,CYLINDER HEAD	1	
E3-5	LTC-1-031-15	17044	INSULATOR,CARBURETOR	1	
E3-6	LTC-1-014-15	18042	PIPE,IN	1	
E3-7	LTC-1-052-15	38096	CLAMP,INLET PIPE	1	
E3-8	CC-1-017-1	27096	PLUG,SPARK	1	
E3-9	LTC-1-049-15	38018	BOLT,STUD,M6*32	2	
E3-10	LTC-1-047-19	38084	O-RING 9*1.6	2	
E3-11	LTC-1-053-65	38018	BOLT,STUD,M6*65	2	
E3-12	LTC-1-001-11	38020	SCREW,PAN,M4*20	1	
E3-13	LTC-1-053-15	38037	NUT,HEX.,M6	2	
E3-14	LTC-6-028-2	38037	NUT,HEX.,M8	4	
E3-15	LTC-1-571-18	38060	PIN,DOWEL,10*16	4	
E3-16	LTC-1-037-16	38014	PLANGE BOLT,M6*100	2	
E3-17	LTC-1-583-15	38084	O-RING,27*2.0	1	
E3-18	LTC-1-051-15	17044	GASKET,INSULATOR	1	
E3-19	LTC-1-652-4	38045	WASHER,8	4	

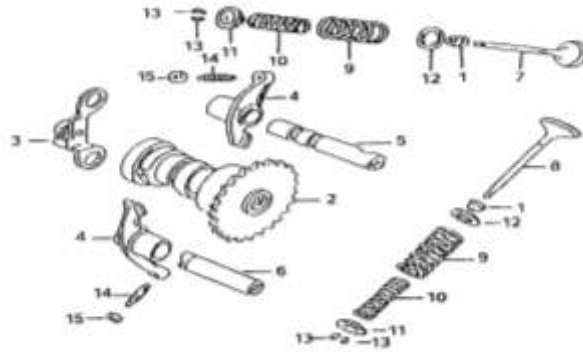
IMPORTANT NOTICE !!!! PRICES QUOTED ARE INCLUSIVE OF VAT AND EX JHB.
 PRICES MAY VARY FROM DEALER TO DEALER. PRICES MAY CHANGE WITHOUT NOTICE.

CYLINDER BARREL ASSEMBLY



Ref	Code	Part No.	Description	Quantity	Price Incl
E6-1	LTC-1-038-150	12002	CYLINDER COMP.	1	
E6-2	LTC-1-039-150	12005	GASKET,CYLINDER	1	
E6-3	LTC-1-571-18	38060	PIN,DOWEL,10*16	2	

VALVE MECHANISM (HEAD)



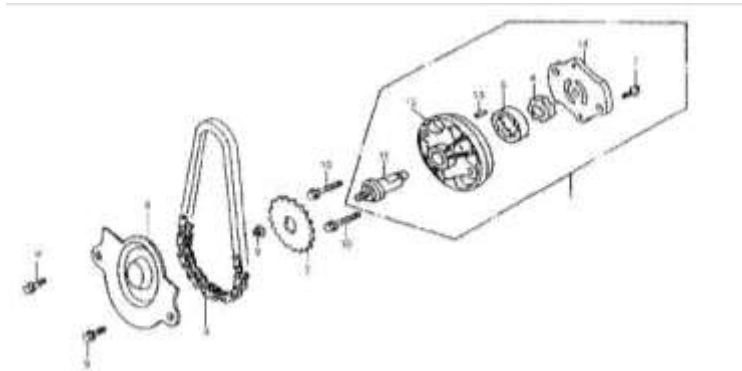
Ref	Code	Part No.	Description	Quantity	Price Incl
E4-1	LTC-1-590-15	14040	SEAL,VALVE STEM	2	
E4-2	LTC-1-599-15	14001	CAMSHAFT COMP.	1	
E4-3	LTC-1-595-15	14020	POSITION PLATE COMP.	1	
E4-4	LTC-1-598-15	14046	ARM,VALVE ROCKER	2	
E4-5	LTC-1-600-15	14051	SHAFT,VALVE ROCKER ARM,IN.	1	
E4-6	LTC-1-600-16	14051	SHAFT,VALVE ROCKER ARM,EX.	1	
E4-7	LTC-1-591-15	14030	VALVE,INLET	1	
E4-8	LTC-1-605-16	14031	VALVE,EXHAUST	1	
E4-9	LTC-1-588-15	14035	SPRING,VALVE OUTER	2	
E4-10	LTC-1-587-15	14034	SPRING,VALVE INNER	2	
E4-11	LTC-1-586-35	14038	RETAINER,VALVE SPRING	2	
E4-12	LTC-1-589-15	14037	SEAT,VALVE SPRING OUTER	2	
E4-13	LTC-1-585-15	14039	COTTER,VALVE	4	
E4-14	LTC-1-597-15	14048	SCREW,TAPPET ADJUSTING	2	
E4-15	LTC-1-596-15	14049	NUT,TAPPET ADJUSTING	2	

VALVE MECHANISM (DRIVE)



Ref	Code	Part No.	Description	Quantity	Price Incl
E5-1	LTC-1-608-15	14061	CHAIN,CAM	1	
E5-2	LTC-1-607-19	14091	BAR,CAM CHAIN TENSIONER	1	
E5-3	LTC-1-607-15	14074	TENSIONER,CAM CHAIN	1	
E5-4	LTC-1-607-18	14083	GASKET,TENSIONER	1	
E5-5	LTC-1-607-10	14100	GUIDE BAR,CAM CHAIN	1	
E5-6	LTC-1-609-37	38084	WASHER,SEALING	1	
E5-7	LTC-1-609-36	38020	BOLT,FLANGE,M6*6	1	
E5-8	LTC-1-032-11	38014	BOLT,FLANGE,M6*22	2	
E5-9	LTC-1-607-17	38019	SCREW TENSION BAR,M6*40	1	
E5-10	LTC-1-607-16	38084	O-RING,15.5*1.5	1	

OIL PUMP



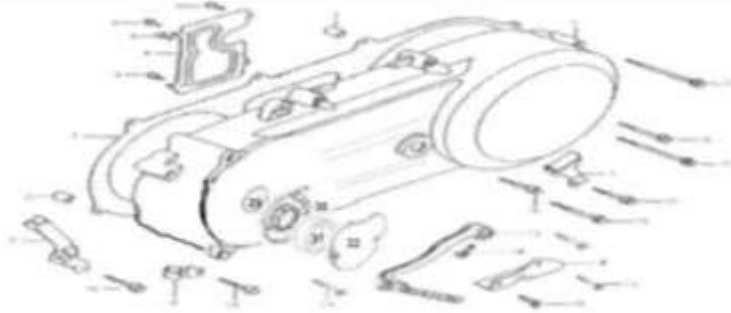
Ref	Code	Part No.	Description	Quantity	Price Incl
E9-1	LTC-1-661-15	15001	PUMP ASSY.,OIL	1	
E9-2	LTC-1-652-16	15007	SPROCKET,DRIVEN,OIL PUMP(19T)	1	
E9-3	LTC-1-652-15	15017	CHAIN,DRIVE,OIL PUMP	1	
E9-4	Part of item 1	15005	ROTOR,OIL PUMP INNER	1	
E9-5	Part of item 1	15006	ROTOR,OIL PUMP OUTER	1	
E9-6	LTC-1-652-10	15027	PLATE,SEPARATE,OIL PUMP	1	
E9-7	Part of item 1	38020	SCREW,PAN,M3*10	1	
E9-8	LTC-1-652-7	38037	NUT,HEX.,M6	1	
E9-9	LTC-1-609-36	38014	BOLT,FLANGE,M6*12	2	
E9-10	LTC-1-032-11	38014	BOLT,FLANGE,M6*25	2	
E9-11	Part of item 1	15008	SHAFT,OIL PUMP	1	
E9-12	Part of item 1	15002	BODY,OIL PUMP	1	
E9-13	Part of item 1	38060	PIN,DOWEL,4*6.5	1	
E9-14	Part of item 1	15004	PLATE,FLAT	1	

CRANKCASE COVER (RIGHT)



Ref	Code	Part No.	Description	Quantity	Price Incl
E7-1	LTC-1-032-15	11060	COVER COMP.,R.CRANKCASE	1	
E7-2	LTC-1-036-15	11062	GASKET,R. CRANKCASE COVER	1	
E7-3	LTC-1-623-8	11026	BOLT,DRAIN PLUG	1	
E7-4	LTC-1-623-5	15029	SCREEN,OIL FILTER	1	
E7-5	LTC-1-623-6	38115	SPRING,OIL FILTER SCREEN	1	
E7-6	LTC-1-035-15	11070	GAUGE,OIL LEVEL	1	
E7-7	LTC-1-032-4	38065	OIL SEAL,19.8*30*5	1	
E7-8	LTC-1-623-7	38084	OIL SEAL,30.8*3	1	
E7-9	LTC-1-614-5	38084	OIL SEAL,18*3	1	
E7-10	LTC-1-617-15	38060	PIN,DOWEL,8*14	2	
E7-11	LTC-1-037-1	38014	BOLT,FLANGE,M6*32	1	
E7-12	LTC-1-037-17	38014	BOLT,FLANGE,M6*110	2	
E7-13	LTC-1-037-15	38014	BOLT,FLANGE,M6*95	4	
E7-14	LTC-1-037-16	38014	BOLT,FLANGE,M6*100	1	
E7-15	LTC-1-050-6	38014	BOLT,FLANGE,M6*28	1	

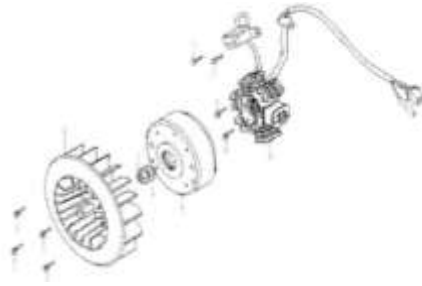
CRANKCASE COVER (LEFT)



Ref	Code	Part No.	Description	Quantity	Price Incl
E11-1	LTC-1-026-2	11038	COVER,L.CRANKCASE	1	
E11-2	LTC-1-026-15	38094	CLAMPER,WIRE	1	
E11-3	LTC-1-617-15	38060	PIN,DOWEL,8*14	2	
E11-4	LTC-9-083-15	38094	PLATE,STRIKE PROOF	1	
E11-5	LTC-1-027-15	11039	GASKET,L.CRANKCASE COVER	1	
E11-6	LTC-1-026-15	38094	CLAMP,OVERFLOW TUBE	1	
E11-7	LTC-1-026-4	38094	CLAMP,BRAKE WIRE	1	
E11-8	LTC-1-026-1	11058	GUIDE,PLATE BREATHER	1	
E11-9	LTC-1-020-19	38031	SCREW,ST4.2*8	4	
E11-10	LTC-1-029-16	38014	BOLT,FLANGE,M6*40	7	
E11-11	LTC-1-029-1	38014	BOLT,FLANGE,M6*70	2	
E11-12	LTC-1-609-36	38014	BOLT,FLANGE,M6*12	1	
E11-13	LTC-1-016-1	19384	STARTING LEVER	1	
E11-14	LTC-1-052-1	38014	BOLT,FLANGE,M6*22	1	
E11-15	LTC-1-037-2	38014	BOLT,FLANGE,M6*45	1	
E11-29	LTC-1-026-17		O RING CYCLONIC FILTER		
E11-30	LTC-1-026-18		INLET AIR BODY		
E11-31	LTC-1-026-19		SEAL CYCLONIC FILTER		
E11-32	LTC-1-026-20		INLET AIR COVER		

IMPORTANT NOTICE !!!! PRICES QUOTED ARE INCLUSIVE OF VAT AND EX JHB.
 PRICES MAY VARY FROM DEALER TO DEALER. PRICES MAY CHANGE WITHOUT NOTICE.

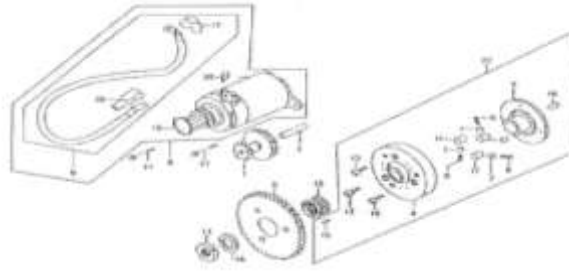
MAGNETO COMP



Ref	Code	Part No.	Description	Quantity	Price Incl
1	LTC-1-609-9		BOLT M6×18	4	
2	LTC-1-033-15		COOLING FAN ASSEMBLY	1	
3	LTC-1-717-15		NUT M12×12.5	1	
4	LTC-1-717-16		WASHER	1	
5	LTC-1-030-15		MAGNETO FLYWHEEL ASSEMBLY	1	
6			BOLT	2	
7	LTC-1-599-3		BOLT M5×12	2	
8	LTC-1-030-16		STATOR ASSEMBLY	1	

**IMPORTANT NOTICE !!!! PRICES QUOTED ARE INCLUSIVE OF VAT AND EX JHB.
PRICES MAY VARY FROM DEALER TO DEALER. PRICES MAY CHANGE WITHOUT NOTICE.**

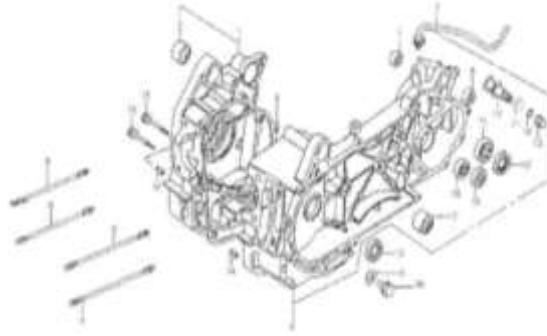
ELECTRIC STARTING MECHANISM



Ref	Code	Part No.	Description	Quantity	Price Incl
E10-1	LTC-11-050-17	19319	GEAR,REDUCTION (54/13T)	1	
E10-2	LTC-11-050-18	19323	SHAFT,REDUCTION GEAR	1	
E10-3	LTC-11-050-21	19324	GEAR COMP.,STARTING CLUTCH(ONE WAY)	1	
E10-4	Part of item 22	19311	OUTER COMP.,STARTING CLUTCH (ONE WAY)	1	
E10-5	Part of item 22	19310	BUSH,STARTING CLUTCH	1	
E10-6	Part of item 22	38115	SPRING,STARTING CLUTCH ROLLER	3	
E10-7	Part of item 22	19316	CAP,STARTING CLUTCH ROLLER SPRING	3	
E10-8	LTC-11-050-15	27035	MOTOR ASSY.,STARTER	1	
E10-9	Part of item 8	27037	SUB HARNESS,STARTING MOTOR	1	
E10-10	Part of item 8	27041	RUBBER I	1	
E10-11	Part of item 8	27041	RUBBER II	1	
E10-12	Part of item 22	38019	BOLT,HEX.,M6*12	3	
E10-13	LTC-11-050-9	38081	NUT,LOCK,M22	1	
E10-14	LTC-11-050-20	38045	WASHER,22*31*2	1	
E10-15	Part of item 22	38060	PIN,DOWEL,5*6	1	
E10-16	Part of item 22	38014	BOLT,FLANGE,M6*18	1	
E10-17	Part of item 22	19314	ROLLER,10*10	3	
E10-18	LTC-11-050-22	38063	BEARING,NEEDLE,28*32*17	1	
E10-19	Part of item 8	38084	O-RING,24.4*3.1	1	
E10-20	Part of item 8	38020	SCREW,PAN,M5*8	1	
E10-21	LTC-1-050-4	38014	BOLT,FLANGE,M6*16	1	
E10-22	LTC-11-050-16	19309	STARTING CLUTCH	1	

**IMPORTANT NOTICE !!!! PRICES QUOTED ARE INCLUSIVE OF VAT AND EX JHB.
PRICES MAY VARY FROM DEALER TO DEALER. PRICES MAY CHANGE WITHOUT NOTICE.**

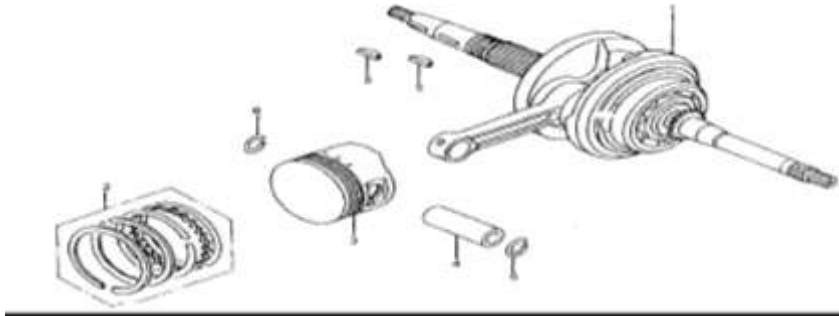
CRANKCASE



Ref	Code	Part No.	Description	Quantity	Price Incl
E15-1	LTC-1-007-10	11008	CRANKCASE COMP.,R.CRANKCASE	1	
E15-2	LTC-1-665-5	11029	RUBBER BUSH,ENGINE SUSPENSION	2	
E15-3	LTC-1-668-5	11010	GASKET,CRANKCASE	1	
E15-4	LTC-1-007-20	11003	CRANKCASE COMP.,L.	1	
E15-5	LTC-1-665-6	11029	BUSH	2	
E15-6	LTC-1-622-5	38045	WASHER,Φ12.2*Φ20*1.5	1	
E15-7	LTC-1-007-50	38074	TUBE,BREATHER	1	
E15-8	LTC-1-662-1	11025	BOLT,STUD,M8*188	2	
E15-9	LTC-1-663-1	11024	BOLT,STUD,M8*195.5	2	
E15-10	LTC-1-010-6301	38063	BEARING,RADIAL BALL,6301	1	
E15-11	LTC-1-010-6004	38063	BEARING,RADIAL BALL,6004	1	
E15-12	LTC-2-019-4	38065	OIL SEAL,19.8*30*5	1	
E15-13	LTC-2-019-3	38065	OIL SEAL,27*42*7	1	
E15-14	LTC-1-580-3	38060	PIN,DOWEL,8*14	2	
E15-15	LTC-1-007-13	38014	BOLT,FLANGE,M6*50	2	
E15-16	LTC-1-010-6002	38063	BEARING,RADIAL BALL,6002	1	
E15-17	LTC-5-038-5	38061	PIN,FIXING,BRAKE DRUM	1	
E15-18	LTC-5-038-6	38084	O-RING,7.5*1.5	1	
E15-19	LTC-5-038-7	38040	NUT,LOCK,M8	1	
E15-20	LTC-1-623-1	38007	BOLT,DRAIN PLUG	1	
E15-21	LTC-5-038-7	38045	WASHER,Φ8.2*Φ16*1	1	

IMPORTANT NOTICE !!!! PRICES QUOTED ARE INCLUSIVE OF VAT AND EX JHB.
 PRICES MAY VARY FROM DEALER TO DEALER. PRICES MAY CHANGE WITHOUT NOTICE.

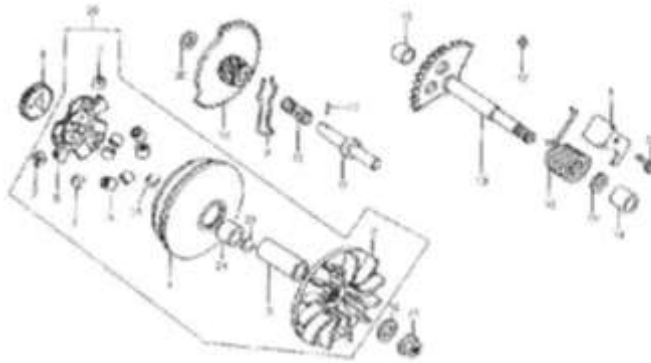
CRANKSHAFT/PISTON/CONNECTING ROD COMP



Ref	Code	Part No.	Description	Quantity	Price Incl
E16-1	LTC-1-007-1	13014	CRANKSHAFT COMP.	1	
E16-2	LTC-1-044-0	13007	RING SET,PISTON(STD)	1	
E16-3	LTC-1-040-2	13003	PISTON (STD)	1	
E16-4	LTC-1-686-2	13006	PIN,PISTON	1	
E16-5	LTC-1-007-625	38062	KEY,WOODRUFF,25*14*4	2	
E16-6	LTC-1-683-2	38056	CLIP,PISTON PIN	2	

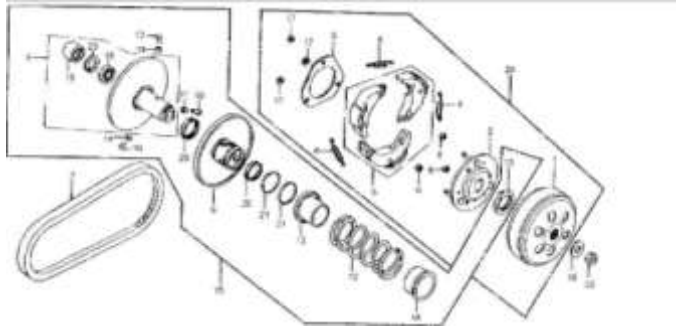
**IMPORTANT NOTICE !!!! PRICES QUOTED ARE INCLUSIVE OF VAT AND EX JHB.
PRICES MAY VARY FROM DEALER TO DEALER. PRICES MAY CHANGE WITHOUT NOTICE.**

CVT SYSTEM



Ref	Code	Part No.	Description	Quantity	Price Incl
E12-1	LTC-1-011-6	19449	PLATE,STARTING LEVER RETURN	1	
E12-2	LTC-2-019-11	19282	DISK,DRIVING	1	
E12-3	LTC-2-019-10	38082	BUSH,DRIVE DISK SHAFT	1	
E12-4	LTC-2-019-5	19283	DISK COMP.MOVABLE DRIVE	1	
E12-5	LTC-2-019-9	19284	ROLLER,WETGHT	6	
E12-6	LTC-2-019-8	19286	PLATE,RAMP	1	
E12-7	LTC-2-019-7	19287	PIECE,SLIDE	3	
E12-8	LTC-2-019-6	19456	DRIVEN GEAR,KICK STARTER(20T)	1	
E12-9	Part of item 10	19209	SPRING,FRICTION,STARTER	1	
E12-10	LTC-1-011-6	19344	IDLER GEAR ASSEMBLY	1	
E12-11	Part of item 10	19345	SHAFT,IDLE GEAR STARTER	1	
E12-12	Part of item 10	38115	SPRING,STARTER IDLE GEAR SHAFT	1	
E12-13	LTC-1-011-5	19452	STARTING SHAFT ASSEMBLY	1	
E12-14	Part of item 13	38082	BUSH,KICK SPINDLE,14*18*16	1	
E12-15	Part of item 13	38082	BUSH,12*16*12	1	
E12-16	Part of item 13	19334	SPRING,RETURN,KICK STARTER	1	
E12-17	Part of item 13	38060	PIN,4.5	1	
E12-18	Part of item 26	38045	WASHER,24*12.2*2.5	1	
E12-19	Part of item 13	38045	WASHER,14	1	
E12-20	Part of item 10	38045	WASHER,12.5	1	
E12-21	Part of item 26	38037	NUT,FLANGE,M12*1.25	1	
E12-22	Part of item 26	38014	BOLT,FLANGE,M6*14	1	
E12-23	Part of item 10	38060	ROLLER,3*8.5	1	
E12-24	Part of item 26	38082	SLEEVE	1	
E12-25	Part of item 26	38056	CLIP,28	2	
E12-26	LTC-2-019-12	19281	VARIATOR ASSEMBLY	1	

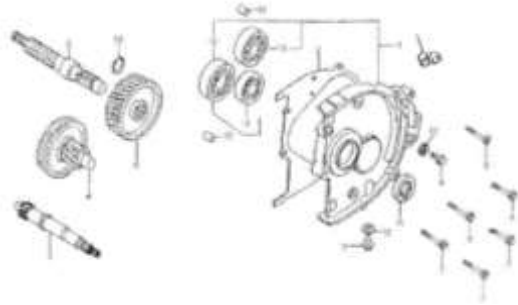
CVT SYSTEM



Ref	Code	Part No.	Description	Quantity	Price Incl
E13-1	Part of item 24	19419	OUTER COVER,CLUTCH	1	
E13-2	Part of item 24	19431	PLATE COMP.,DRIVE CLUTCH	1	
E13-3	Part of item 24	19433	SIDE PLATE,CLUTCH	1	
E13-4	Part of item 24	38114	SPRING,CLUTCH	3	
E13-5	Part of item 24	19432	WEIGHT,CLUTCH	3	
E13-6	Part of item 24	19026	RUBBER,DAMPING,CLUTCH	3	
E13-7	LTC-2-007-15	19300	BELT,DRIVE	1	
E13-8	Part of item 24	19423	DISK SET,DRIVEN	1	
E13-9	Part of item 24	19426	DISK,MOVABLE DRIVEN	1	
E13-10	Part of item 24	19296	PIN,PLUG	3	
E13-11	Part of item 24	19429	ROLLER	3	
E13-12	Part of item 24	38115	SPRING,DRIVEN DISK	1	
E13-13	Part of item 24	19298	BUSH,SEALING	1	
E13-14	Part of item 24	19299	BUSH,SPRING	1	
E13-15	Part of item 24	38034	NUT,LOCK,M28	1	
E13-16	Part of item 24	38045	WASHER,24*12.2*2.5	1	
E13-17	Part of item 24	38057	CLRCLIP,6	3	
E13-18	Part of item 24	38063	BEARING,BALL,6902U	1	
E13-19	Part of item 24	38063	BEARING,NEEDLE,HK202918RS	1	
E13-20	Part of item 24	38065	SEAL RING,DRIVEN DISK,34*41*4	2	
E13-21	Part of item 24	38084	O-RING 38.8*1.8	2	
E13-22	Part of item 24	38037	NUT,FLANGE,M12	1	
E13-23	Part of item 24	38056	CIRCLIP,28	1	
E13-24	LTC-1-025-1	19001	CLUTCH ASSEMBLY	1	
E13-25	Part of item 24	19289	DISK COMP.,DRIVEN	1	

IMPORTANT NOTICE !!!! PRICES QUOTED ARE INCLUSIVE OF VAT AND EX JHB.
 PRICES MAY VARY FROM DEALER TO DEALER. PRICES MAY CHANGE WITHOUT NOTICE.

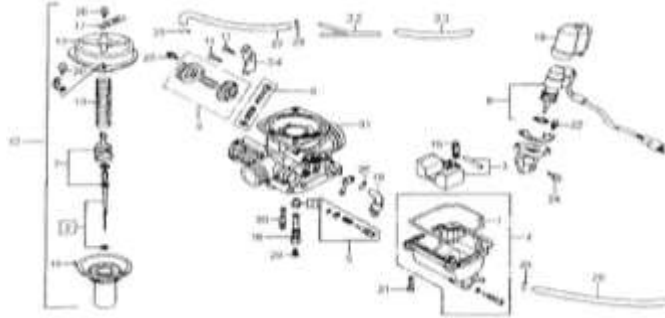
TRANSMISSION MECHANISM



Ref	Code	Part No.	Description	Quantity	Price Incl
E14-1	LTC-1-010-109	11018	CASE COMP.,TRANSMISSION	1	
E14-2	LTC-1-010-108	11020	GASKET,TRANSMISSION CASE	1	
E14-3	LTC-1-010-103	19302	MAINSHAFT,TRANSMISSION(15T	1	
E14-4	LTC-1-010-102	19303	COUNTERSHAFT(13T)	1	
E14-5	LTC-1-010-100	19305	DRIVE SHAFT	1	
E14-6	LTC-1-010-101	19306	GEAR COMP.,DRIVE(40T)	1	
E14-7	LTC-1-053-1	38014	BOLT,FLANGE,M6*28	3	
E14-8	LTC-1-037-1	38014	BOLT,FLANGE,M6*35	3	
E14-9	LTC-1-010-112	38014	BOLT,SPECIAL,M8*12	2	
E14-10	LTC-1-010-110	38045	WASHER,Ø8.2*Φ16*1	2	
E14-11	LTC-1-010-113	38065	OIL SEAL,20*32*6	1	
E14-12	LTC-1-010-104	38060	PIN,DOWEL,8*14	2	
E14-13	LTC-2-019-5512	38055	CIRCLIP,20	1	
E14-14	LTC-1-010-6202	38063	BEARING,RADIAL BALL,6202	1	
E14-15	LTC-1-010-6203	38063	BEARING,RADIAL BALL,6203	1	
E14-16	LTC-1-010-6204	38063	BEARING,RADIAL,BALL,6204	1	

IMPORTANT NOTICE !!!! PRICES QUOTED ARE INCLUSIVE OF VAT AND EX JHB.
 PRICES MAY VARY FROM DEALER TO DEALER. PRICES MAY CHANGE WITHOUT NOTICE.

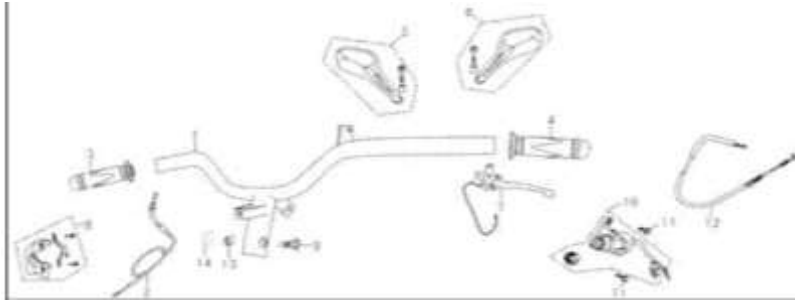
CARBURETOR



Ref	Code	Part No.	Description	Quantity	Price Incl
E17-1	LTC-1-002-62	17005	GASKET SET	1	
E17-2	LTC-1-002-3	17265	NEEDLE SET, JET	1	
E17-3	LTC-1-002-4	17027	FLOAT, SET	1	
E17-4	LTC-1-002-63	17024	CHAMBER SET, FLOAT	1	
E17-5	LTC-1-002-20	17264	SCREW SET, ADJUSTING MIXTURE	1	
E17-6	LTC-1-002-21	17263	SCREW SET, ADJUSTING IDLE	1	
E17-7	LTC-1-002-54	17031	PLATE SET, CHOKE	1	
E17-8	LTC-1-002-68	17026	VALVE COMP., ADJUSTING	1	
E17-9	LTC-1-002-55	17268	PUMP, ACCELERATION	1	
E17-10	LTC-1-002-53	17247	SPRING, COMPRESSION CHOKE	1	
E17-11	LTC-1-002-56	38020	SCREW, PAN, M5*12	2	
E17-12	LTC-1-002-1	17002	CARBURETOR ASSY.	1	
E17-13	LTC-1-002-52	17017	COVER, TOP	1	
E17-14	LTC-1-002-2	17269	CHOKE COMP., VACUUM	1	
E17-15	LTC-1-002-67	17018	VALVE COMP., FLOAT	1	
E17-16	LTC-1-002-61	17020	HOLDER, MAIN JET	1	
E17-17	LTC-1-002-51	17228	PLATE, FLX	1	
E17-18	LTC-1-002-71	17235	CAP, ADJUSTING VALVE	1	
E17-19	LOCAL PURCHASE	38074	TUBE, BREATHER	1	
E17-20	LTC-1-002-50	38020	SCREW, PAN, M4*8	2	
E17-21	LTC-1-002-64	38020	SCREW M4*14	4	
E17-22	LTC-1-002-70	38071	SCREW, WASHER, M4*8	2	
E17-23	LTC-1-002-57	38071	SCREW, WASHER, M4*10	2	
E17-24	LTC-1-002-69	38071	SCREW, WASHER, M5*12	1	
E17-25	LTC-1-002-66	38095	CLAMP, TUBE	3	
E17-26	LTC-1-002-66	38095	CLAMP, TUBE	1	
E17-27	LOCAL PURCHASE	38074	TUBE, 3.5*200	1	
E17-28	LOCAL PURCHASE	38074	TUBE	1	
E17-29	LTC-1-002-60	17003	JET, MAIN	1	
E17-30	LTC-1-002-59	17014	JET, SLOW, #35	1	
E17-31	SEE ITEM 12	17016	BODY, CARBURETOR	1	
E17-32	LOCAL PURCHASE	38078	TRIANGLE PIPE	1	
E17-33	LOCAL PURCHASE	38074	TUBE, 3.5*85	1	
E17-34	LTC-1-002-66	38094	CLAMP	1	

IMPORTANT NOTICE !!!! PRICES QUOTED ARE INCLUSIVE OF VAT AND EX JHB.
 PRICES MAY VARY FROM DEALER TO DEALER. PRICES MAY CHANGE WITHOUT NOTICE.

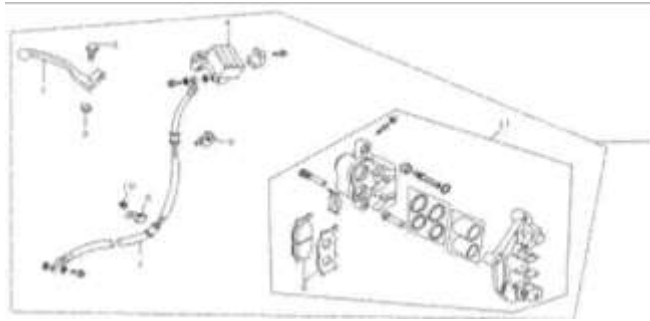
Handlebar & Controls



Ref	Code	Part No.	Description	Quantity	Price Incl
F14-1	LTC-8-002-5	32001	HANDLEBAR TUBE ASSEMBLY	1	
F14-2	LTC-1-021-5	17121	CABLE COMP.,THROTTLE	1	
F14-3	LTC-8-004-5	32019	GRIP COMP.,THROTTLE	1	
F14-4	LTC-8-003-5	32018	GRIP,L.HANDLE	1	
F14-5	LTC-11-014-RED-50	36053	PAIR REARVIEW MIRROR	1	
F14-6	LTC-11-014-YEL-50	36053	PAIR REARVIEW MIRROR	1	
F14-7	LTC-5-003-5	27151	LEFT (REAR) BRAKE LEVER ASSEMBLY	1	
F14-8	LTC-8-004-25	27165	THROTTLE HOUSING	1	
F14-9	LTC-9-040-1	38014	BOLT,FLANGE,M10x50	1	
F14-10	LTC-9-099-1	27133	IGNITION SWITCH & LOCK BARREL	1	
F14-11	LTC-1-609-36	38014	BOLT,FLANGE,M6x12	2	
F14-12	LTC-5-060-5	29137	CABLE COMP., RR. BRAKE	1	
F14-13	LTC-9-039-5	38082	SADDLE BUSH	1	
F14-14	LTC-2-002-1	38040	NUT M10	1	

IMPORTANT NOTICE !!!! PRICES QUOTED ARE INCLUSIVE OF VAT AND EX JHB.
 PRICES MAY VARY FROM DEALER TO DEALER. PRICES MAY CHANGE WITHOUT NOTICE.

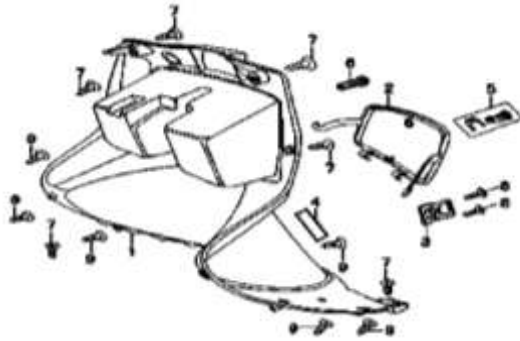
FRONT BRAKE



Ref	Code	Part No.	Description	Quantity	Price Incl
F11-1	LTC-5-102-8	27172	LEVER COMP.,R.HANDLE	1	
F11-2	LTC-1-050-4	29226	BOLT,R.LEVER	1	
F11-3	LTC-1-652-7	38039	NUT M6	1	
F11-4	LTC-5-102-5	29148	M/C ASSY.,FR.	1	
F11-5	LTC-5-055-5	29140	BRAKE ASSY,FRONT DISC	1	
F11-6	LTC-5-059-125	29173	PAD SET,FR.DISK BRAKE	2	
F11-7	LTC-5-105-125	29178	HOSE COMP.,FR.DISK BRAKE	1	
F11-8	LTC-5-105-126	29224	CLIP,HOSE	1	
F11-9	LTC-5-105-127	29224	CLIP,HOSE	1	
F11-10	LTC-1-609-36	38014	BOLT M6×12	1	
F11-11	LTC-5-107-125	29164	CALIPER ASSY,FR.	1	

**IMPORTANT NOTICE !!!! PRICES QUOTED ARE INCLUSIVE OF VAT AND EX JHB.
PRICES MAY VARY FROM DEALER TO DEALER. PRICES MAY CHANGE WITHOUT NOTICE.**

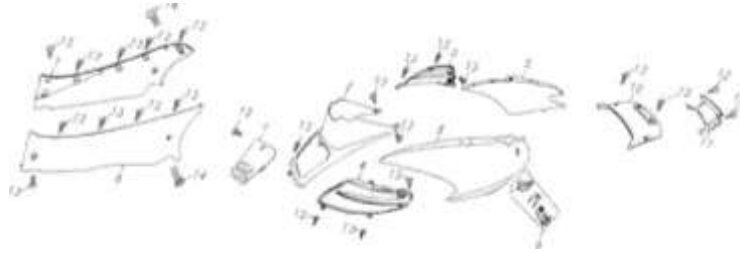
DOCUMENT BOX



Ref	Code	Part No.	Description	Quantity	Price Incl
F15-1	LTC-9-022-15	35002	INNER BOX	1	
F15-2	LTC-9-023-15	35003	COVER OF FRONT INNER BOX	1	
F15-3	LTC-9-023-16	34253	HOOK, HELMET	1	
F15-4	LTC-9-022-16	35005	COVER, FRAME SERIAL NUMBER PLATE	1	
F15-5	LTC-9-099-1	35004	LOCK, UTILITY BOX	1	
F15-6	LTC-1-560-5	38014	BOLT, FLANGE, M6x16	1	
F15-7	LTC-9-020-7	38031	SCREW, TAPPING, 4.8x16	6	
F15-8	LTC-9-020-6	38020	SCREW, PAN, M5x20	2	
F15-9	LTC-9-020-7	38031	SCREW, TAPPING, 4.2x16	6	

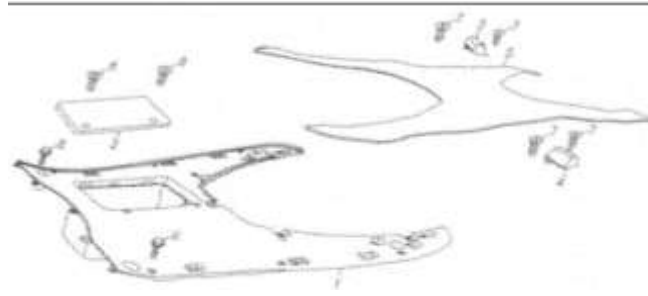
IMPORTANT NOTICE !!!! PRICES QUOTED ARE INCLUSIVE OF VAT AND EX JHB.
 PRICES MAY VARY FROM DEALER TO DEALER. PRICES MAY CHANGE WITHOUT NOTICE.

FAIRINGS



Ref	Code	Part No.	Description	Quantity	Price Incl
F3-1	LTC-9-026-6	35071	SMALL COVER,FRONT LUGGAGE CASE	1	
F3-2	LTC-9-026-5	35010	FR. COVER,LUGGAGE CASE	1	
F3-3	LTC-9-007-30	35018	PLATE,L.LUGGAGE CASE	1	
F3-4	LTC-9-006-20	35017	PLATE,R.LUGGAGE CASE	1	
F3-5	LTC-9-007-YEL-15	34236	COVER,R.TAIL	1	
F3-5	LTC-9-007-RED-15		COVER,R.TAIL		
F3-6	LTC-9-006-YEL-15	34235	COVER,L.TAIL	1	
F3-6	LTC-9-006-RED-15		COVER,L.TAIL		
F3-7	LTC-9-014-YEL-15	34087	COVER,R.SIDE	1	
F3-7	LTC-9-014-RED-15		COVER,R.SIDE		
F3-8	LTC-9-015-YEL-15	34075	COVER,L.SIDE	1	
F3-8	LTC-9-015-RED-15		COVER,L.SIDE		
F3-9	LTC-9-099-1	33019	KEY,SEAT LOCK	1	
F3-10	LTC-9-008-YEL-15	34239	COVER,TAIL	1	
F3-10	LTC-9-008-RED-15		COVER,TAIL		
F3-11	LTC-9-013-YEL-15	34240	PLATE,TAIL COVER CONNECTING	1	
F3-11	LTC-9-013-RED-15		PLATE,TAIL COVER CONNECTING		
F3-12	LTC-9-020-8	38031	SCREW,TAPPING,ST4.2×13	7	
F3-13	LTC-9-050-1	38031	SCREW,TAPPING,ST4.8×13	21	
F3-14	LTC-1-560-5	38020	SCREW,PAN,M6*16	2	

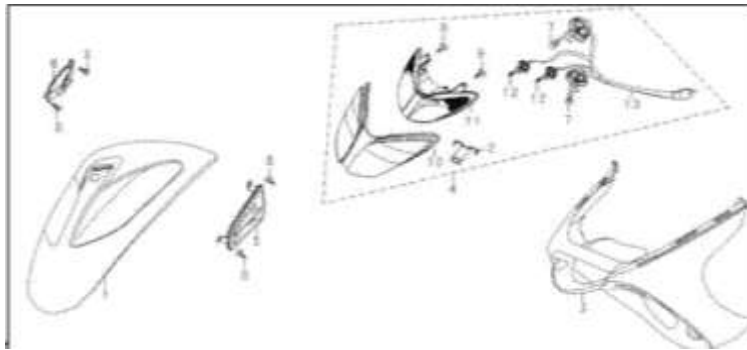
FOOT-PANELS



Ref	Code	Part No.	Description	Quantity	Price Incl
F4-1	LTC-9-001-15	34213	BOARD,FOOTREST	1	
F4-2	LTC-10-003-5	34215	COVER,BATTERY	1	
F4-3	LTC-11-007-5	31218	BRACKET,L.PILLION FOOTREST	1	
F4-4	LTC-11-007-6	31217	BRACKET,R.PILLION FOOTREST	1	
F4-5	LTC-11-009-5	34217	RUBBER,FOOTREST	1	
F4-6	LTC-9-020-8	38031	SCREW,TAPPING,ST4.2x13	2	
F4-7	LTC-9-050-1	38031	SCREW,TAPPING,ST4.8x13	4	
F4-8	LTC-1-609-36	38014	BOLT,FLANGE,M6*12	2	

**IMPORTANT NOTICE !!!! PRICES QUOTED ARE INCLUSIVE OF VAT AND EX JHB.
PRICES MAY VARY FROM DEALER TO DEALER. PRICES MAY CHANGE WITHOUT NOTICE.**

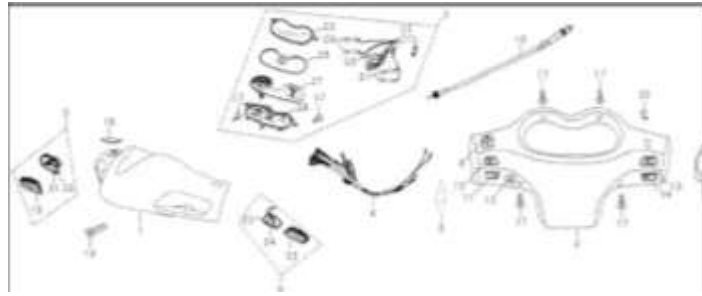
FRONT FAIRINGS



Ref	Code	Part No.	Description	Quantity	Price Incl
F2-1	LTC-9-003-BLK-15	34121	PANEL,FRONT	1	
F2-2	PART OF ITEM 4	28053		1	
F2-3	LTC-9-002-YEL-15	34244	SHIELD,FRONT	1	
	X5R-9-002-RED-15				
F2-4	LTC-10-007-5	28035	HEADLIGHT ASSY.	1	
F2-5	LTC-9-003-30	34245	VENT PLATE LH.	1	
F2-6	LTC-9-003-20	34245	VENT PLATE RH.	1	
F2-7	LTC-10-007-35	38102	BULB, HEADLIGHT	2	
F2-8	LTC-9-050-1	38031	SCREW,TAPPING,ST4.8×13	4	
F2-9	LTC-9-020-7	38031	SCREW,TAPPING,ST4.2×16	2	
F2-10	PART OF ITEM 4	28038	LENS,HEADLIGHT	1	
F2-11	PART OF ITEM 4	28042	BOWL,REFLECTOR,HEADLIGHT	1	
F2-12	LTC-10-008-5	38102	BULB, HEADLIGHT POSITION	2	
F2-13	PART OF ITEM 4	28043	SOCKET COMP.,HEADLIGHT	1	

**IMPORTANT NOTICE !!!! PRICES QUOTED ARE INCLUSIVE OF VAT AND EX JHB.
PRICES MAY VARY FROM DEALER TO DEALER. PRICES MAY CHANGE WITHOUT NOTICE.**

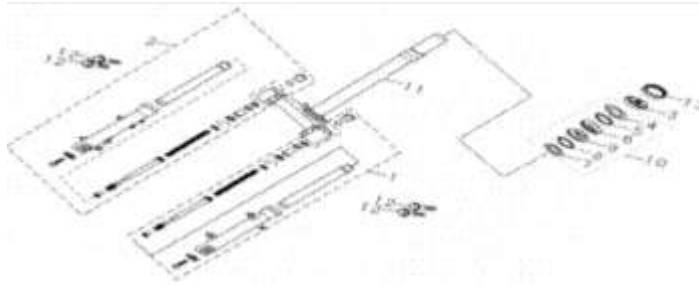
SPEEDO & FAIRINGS



Ref	Code	Part No.	Description	Quantity	Price Incl
F17-1	LTC-9-020-RED-10	34143	FAIRING	1	
	LTC-9-020-YEL-10				
No Ref	LTC-9-020-BLK-11		HANDELBAR BUBBLE FAIRING (MATT BLACK)	1	
F17-2	LTC-9-021-5	34165	COVER,METER	1	
F17-3	LTC-10-026-5	28137	METERS ASSY.	1	
F17-4	PART OF ITEM 3	27247	HARNESS,SUPPLEMENTARY	1	
F17-5	LTC-10-007-7	28078	WINKER,FR.,RH.	1	
F17-6	LTC-10-007-6	28076	WINKER,FR.,LH.	1	
F17-7	LTC-9-020-BLK-51	34172	COVER,HANDLE BAR RH.	1	
F17-8	LTC-9-020-BLK-52	34170	COVER,HANDLE BAR LH.	1	
F17-9	LTC-10-033-5	27144	BRIGHT/DIM SELECTOR SWITCH	1	
F17-10	LTC-10-029-5	27143	INDICATOR SELETOR SWITCH	1	
F17-11	LTC-10-031-5	27145	HOOTER BUTTON	1	
F17-12	LTC-10-017-15	27215	HAZARD SWITCH	1	
F17-13	LTC-10-032-5	27163	LIGHT SELECTOR SWITCH	1	
F17-14	LTC-10-018-5	27164	ELECTRIC START SWITCH	1	
F17-15	LTC-1-018-5	28161	CABLE COMP.,SPEEDOMETER	1	
F17-16	LTC-9-020-RED-11	34152	COVER,FR.MASTER CYLINDER	1	
	LTC-9-020-YEL-11				
F17-17	LTC-9-020-8	38031	SCREW,TAPPING,4.2x13	6	
F17-18	LTC-9-098-40	38020	SCREW,PAN,M5x40	1	
F17-19	LTC-10-007-10	28090	LENS, R. RR. WINKER	1	
F17-20	PART OF ITEM 5	28087	SOCKET,R.FR.WINKER	4	
F17-21	CC-10-012-1	38102	BULB, WINKER	1	
F17-22	LTC-10-007-9	28085	LENS,L.FR.WINKER	1	
F17-23	PART OF ITEM 6	28087	SOCKET,L.FR.WINKER	1	
F17-24	CC-10-012-1	38102	BULB, WINKER	1	
F17-25	LTC-10-027-110	28138	COVER,METER	1	
F17-26	PART OF ITEM 2	28140	INNER COVER,METER	1	
F17-27	PART OF ITEM 2	28165	INDICATOR PLATE,METER	1	
F17-28	PART OF ITEM 2	28141	COVER,LOWER	1	
F17-29	PART OF ITEM 2	38102	BULB, WINKER, WEDGE BA	1	
F17-30	PART OF ITEM 2	38102	BULB,METER,INDICATOR 1	1	
F17-31	PART OF ITEM 26	38102	BULB, BACKLIGHT, WEDGE BASE	1	
F17-32	PART OF ITEM 26	28143	CABLE COMP., METER	1	
F17-33	LTC-9-020-12	34151	VIEWING WINDOW	1	

IMPORTANT NOTICE !!!! PRICES QUOTED ARE INCLUSIVE OF VAT AND EX JHB.
 PRICES MAY VARY FROM DEALER TO DEALER. PRICES MAY CHANGE WITHOUT NOTICE.

STEERING HEAD



Ref	Code	Part No.	Description	Quantity	Price Incl
F7-1	LTC-7-001-5	31045	FORK ASSY.,L.FR.	1	
F7-2	LTC-7-003-5	31046	FORK ASSY.,R.FR.	1	
F7-3	LTC-8-008-6	31027	NUT,ADJUSTING	1	
F7-4	LTC-8-011-1	31039	CIRCLIP,STEERING TOP CONE	1	
F7-5	LTC-8-011-2	31042	RETAINER,STEERING STEM BEARING	1	
F7-6	LTC-8-015-1	31037	RACE,STEERING TOP CONE	1	
F7-7	LTC-8-012-1	31038	RACE,STEERING BOTTOM CONE	1	
F7-8	LTC-8-011-5	31044	RETAINER2,STEERING STEM BEARING	1	
F7-9	LTC-8-015-1	31040	CIRCLIP,STEERING BOTTOM CONE	1	
F7-10	LTC-8-015-2	31036	BEARING,STEERING STEM	1	
F7-11	LTC-8-005-5	31013	STEM COMP.,STEERING	1	
F7-12	LTC-5-107-10	38014	BOLT,FLANGE,M10*40	4	
F7-13	LTC-8-008-5	31026	LOCK NUT	1	

IMPORTANT NOTICE !!!! PRICES QUOTED ARE INCLUSIVE OF VAT AND EX JHB.
 PRICES MAY VARY FROM DEALER TO DEALER. PRICES MAY CHANGE WITHOUT NOTICE.

FRONT WHEEL



Ref	Code	Part No.	Description	Quantity	Price Incl
F9-1	LTC-6-001-5	38087	AXLE,FR.WHEEL,M12*248	1	
F9-2	LTC-6-080-5	29185	SPEED-COUNTER	1	
F9-3	LTC-6-003-6201	38063	BEARING,RADIAL BALL	2	
F9-4	LTC-6-003-7	38045	WASHER Ø12	1	
F9-5	LTC-6-003-6	38082	COLLAR,FR.WHEEL	1	
F9-6	LTC-6-003-8	38065	OIL SEAL	1	
F9-7	LTC-6-002-5	29142	DISK,BRAKE	1	
F9-8	LTC-6-084-5	38019	BOLT,DISK,BRAKE M8×25	3	
F9-9	LTC-6-002-4	38082	COLLAR,FR.WHEEL SIDE,RH.	1	
F9-10	LTC-6-002-5	38040	NUT,LOCK,M12	1	
F9-11	LTC-6-003-5	29002	HUB,FR.WHEEL	1	
F9-12	LTC-6-016-5	29020	VALVE,TIRE,FR.	1	
F9-13	LTC-6-016-6	29019	CAP, FR. TYRE CHARGE VALVE	1	
F9-14	LTC-6-008-5	29015	TIRE,FR.WHEEL	1	

IMPORTANT NOTICE !!!! PRICES QUOTED ARE INCLUSIVE OF VAT AND EX JHB.
 PRICES MAY VARY FROM DEALER TO DEALER. PRICES MAY CHANGE WITHOUT NOTICE.

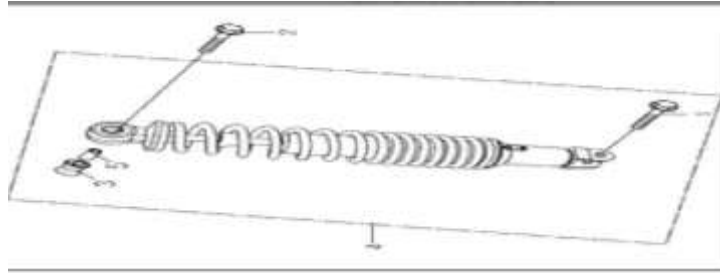
REAR WHEEL



Ref	Code	Part No.	Description	Quantity	Price Incl
F12-1	LTC-6-009-5	29022	HUB,RR.WHEEL	1	
F12-2	LTC-6-010-5	29015	TIRE,RR.WHEEL	1	
F12-3	LTC-7-008-5	30170	PLATE,REAR SHOCK ABSORBER CONNECTING	1	
F12-4	LTC-6-015-1	38082	COLLAR,RR.WHEEL,RH.Φ17.5×Φ25×27	1	
F12-5	LTC-6-008-5	38040	NUT,LOCK, M16	1	
F12-6	LTC-5-001-5	29094	SHOE SET,RR.BRAKE	1	
F12-7	LTC-5-043-5	38114	SPRING,RR.BRAKE SHOE	1	
F12-8	LTC-5-038-5	29086	CAM,RR.BRAKE	1	
F12-9	LTC-5-044-1	29089	SPRING,RR.BRAKE ARM RETURN	1	
F12-10	LTC-5-033-5	29087	ARM,RR.BRAKE	1	
F12-11		29090		1	
F12-12	LTC-1-037-1	38014	BOLT,FLANGE,M6*32	1	
F12-13	LTC-7-008-6	38082	COLLAR,RR.WHEEL,LH.Φ17×Φ25×7	1	
F12-14	LTC-6-016-5	29020	VALVE,TIRE,RR.	1	
F12-15	LTC-6-016-6	29019	CAP, RR. TYRE CHARGE VALVE	1	
F12-16	LTC-3-001-5	38014	BOLT,FLANGE,M8×35	1	
F12-17	LTC-9-016-3	38014	BOLT,FLANGE,M8×16	1	
F12-18	LTC-1-029-16	38014	BOLT,FLANGE,M8×55	1	

IMPORTANT NOTICE !!!! PRICES QUOTED ARE INCLUSIVE OF VAT AND EX JHB.
 PRICES MAY VARY FROM DEALER TO DEALER. PRICES MAY CHANGE WITHOUT NOTICE.

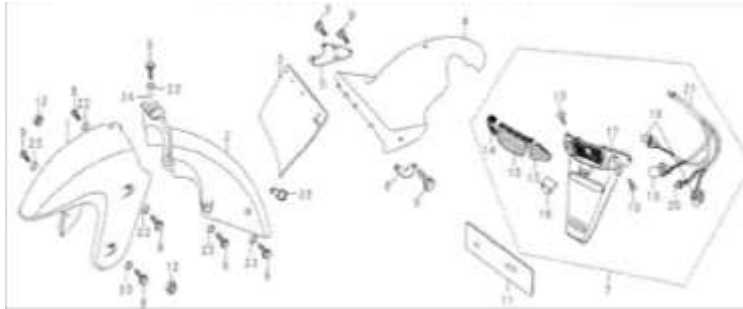
REAR SHOCK ABSORBERS



Ref	Code	Part No.	Description	Quantity	Price Incl
F6-1	LTC-3-001-5	38014	BOLT,FLANGE,M8×35	2	
F6-2	LTC-7-006-5	38014	BOLT,FLANGE,M10×40	2	
F6-3	LTC-7-004-2	31086	BUSH	2	
F6-4	LTC-7-004-1	31079	SHOCK ABSORBER ASSY.,RR.	2	
F6-5	LTC-7-004-3	38082	COLLAR	2	

**IMPORTANT NOTICE !!!! PRICES QUOTED ARE INCLUSIVE OF VAT AND EX JHB.
PRICES MAY VARY FROM DEALER TO DEALER. PRICES MAY CHANGE WITHOUT NOTICE.**

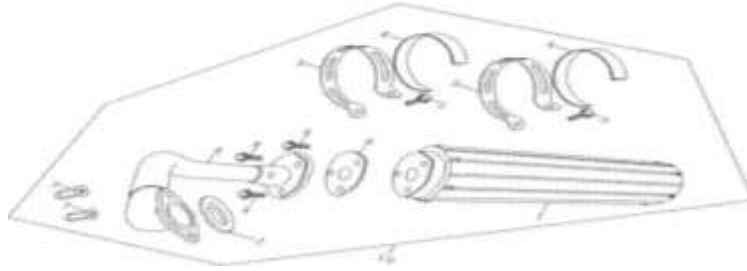
MUDGUARDS



Ref	Code	Part No.	Description	Quantity	Price Incl
F13-1	LTC-9-004-YEL-15	34034	FR. PART, FR. FENDER	1	
	LTC-9-004-RED-15				
F13-2	LTC-9-004-16	34035	RR. PART, FR. FENDER	1	
F13-3	LTC-9-004-17	34052	RUBBER,RR.FENDER	1	
F13-4	LTC-9-004-18	34067	INNER PART, RR. FENDER	1	
F13-5	LTC-9-004-19	34057	BRACKET, RR.R. FENDER	1	
F13-6	LTC-9-004-20	34057	BRACKET, RR.L. FENDER	1	
F13-7	LTC-10-020-1	28058	TAILLIGHT ASSY.	1	
F13-8	LTC-9-004-18	38020	SCREW,ROUND M6×20×Φ8	1	
F13-9	LTC-1-037-19	38014	BOLT,FLANGE,M6×16	7	
F13-10	LTC-9-020-8	38031	SCREW,TAPPING,ST4.2×13	2	
F13-11	LTC-9-080-1	34054	BRACKET,RR.LICENSE PLATE	1	
F13-12	LTC-1-652-7	38040	NUT,LOCK	2	
F13-13	LTC-10-020-3	28060	LENS, TAILLIGHT	1	
F13-14	LTC-10-020-5	28095	LENS, L. RR. WINKER	1	
F13-15	LTC-10-020-4	28214	LENS, R. RR. WINKER	1	
F13-16	LTC-10-020-100	28074	LENS, LIGHT, LICENSE	1	
F13-17	LTC-9-016-1	28069	SEAT, TAILLIGHT	1	
F13-18	LTC-10-021-21	38102	BULB, TAILLIGHT	1	
F13-19	LTC-10-015-1	38102	BULB, WINKER RR.	2	
F13-20	LTC-10-020-101	38102	BULB, LIGHT, LICENSE	1	
F13-21	LTC-9-016-5	28070	WIRE,TAILLIGHT	1	

**IMPORTANT NOTICE !!!! PRICES QUOTED ARE INCLUSIVE OF VAT AND EX JHB.
PRICES MAY VARY FROM DEALER TO DEALER. PRICES MAY CHANGE WITHOUT NOTICE.**

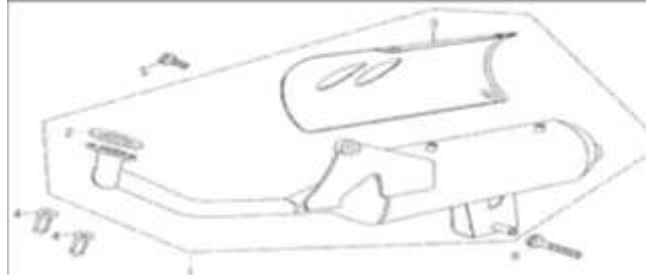
EXHAUST (ALUMINIUM)



Ref	Code	Part No.	Description	Quantity	Price Incl
F10-1	LTC-3-001-1	18072	MUFFLER ASSY	1	
F10-2	LTC-3-002-1	18065	GASKET,EX.PIPE	1	
F10-3	LTC-3-001-2	38097	CLAMP	2	
F10-4	LTC-3-001-3	18089	CLAMP, RUBBER	2	
F10-5	LTC-2-002-1	38014	BOLT,FLANGE,M10x25	2	
F10-6	LG1-3-001-25	18180	EXHAUST DOWNPIPE (FRONT SECTION)	1	
F10-7	LTC-3-003-1	38033	NUT,CAP,M6*30	2	
F10-8	LTC-8-002-4	38014	BOLT,FLANGE,M8x25	3	
F10-9	LTC-3-002-2	18160	GASKET	1	
F10-10	LTC-3-001-10	18057	MUFFLER ASSY.,R.EXH.	1	

IMPORTANT NOTICE !!!! PRICES QUOTED ARE INCLUSIVE OF VAT AND EX JHB.
 PRICES MAY VARY FROM DEALER TO DEALER. PRICES MAY CHANGE WITHOUT NOTICE.

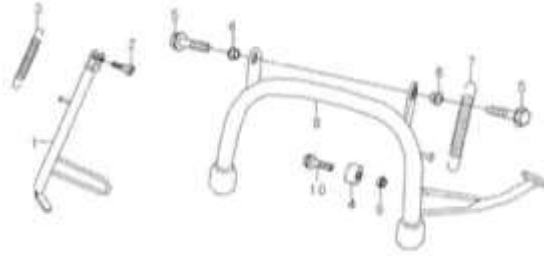
EXHAUST (STEEL)



Ref	Code	Part No.	Description	Quantity	Price Incl
F10-1	LTC-3-001-15	18057	MUFFLER ASSY.,	1	
F10-2	LTC-3-002-1	18065	GASKET,EX.PIPE	1	
F10-3	LG1-3-001-16	18090	MUFFLER HEATSHIELD	1	
F10-4	LTC-3-003-1	38033	NUT,CAP,M8*30	2	
F10-5	LTC-1-032-11	38014	BOLT,FLANGE,M6x25	1	
F10-6	LTC-2-002-1	38010	BOLT,FLANGE,M10x25	1	

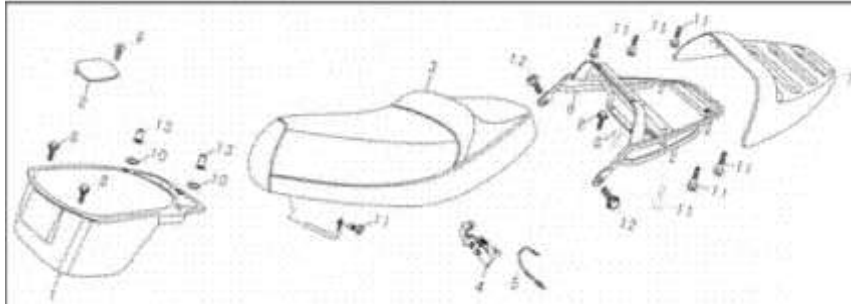
**IMPORTANT NOTICE !!!! PRICES QUOTED ARE INCLUSIVE OF VAT AND EX JHB.
PRICES MAY VARY FROM DEALER TO DEALER. PRICES MAY CHANGE WITHOUT NOTICE.**

STANDS



Ref	Code	Part No.	Description	Quantity	Price Incl
F18-1	LTC-9-093-5	31188	BAR COMP.,SIDE STAND	1	
F18-2	LTC-9-091-5	38002	BOLT,SIDE STAND PIVOT,M10*25	1	
F18-3	LTC-9-092-5	38114	SPRING,SIDE STAND	1	
F18-4	LTC-9-083-1	31199	RUBBER,MAIN STAND	1	
F18-5	LTC-2-002-1	38014	BOLT,FLANGE,M10*25	2	
F18-6	LTC-9-089-6	38082	COLLAR,MAIN STAND	2	
F18-7	LTC-9-087-5	38114	SPRING,MAIN STAND	2	
F18-8	LTC-9-088-1	31197	STAND COMP.,MAIN	1	
F18-9	LTC-1-652-7	38040	NUT,M6	1	
F18-10	LTC-5-102-6	38014	BOLT,FLANGE,M6*30	1	

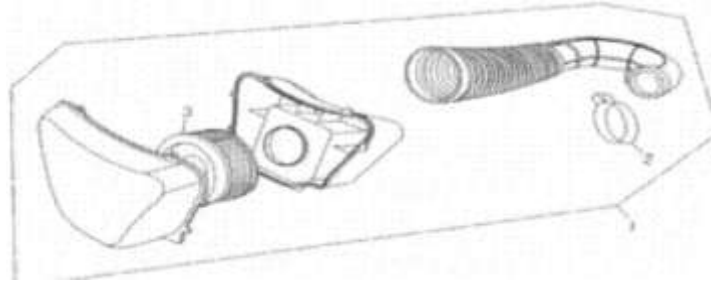
SEAT & LUGGAGE



Ref	Code	Part No.	Description	Quantity	Price Incl
F8-1	LTC-9-018-5	35011	CASE,LUGGAGE	1	
F8-2	LTC-9-017-5	35014	COVER,LUGGAGE CASE	1	
F8-3	LTC-9-010-5	33001	SEAT COMP.,DOUBLE	1	
F8-4	LTC-9-019-1	33017	LOCK COMP.,SEAT	1	
F8-5	LTC-9-019-2	33025	CABLE,SEAT	1	
F8-6	LTC-9-011-15	33064	LUGGAGE CARRIER ASSY.,RR.	1	
F8-7	LTC-9-011-RED-16	33101	COVER,LUGGAGE CARRIER DECORATION	1	
F8-7	LTC-9-011-YEL-16		COVER,LUGGAGE CARRIER DECORATION		
F8-8	LTC-1-050-4	38014	BOLT,FLANGE,M6*16	4	
F8-9	LTC-1-004-1	38031	SCREW,TAPPING,M4.8*16	1	
F8-10	LTC-9-055-1	38045	WASHER $\phi 6 * \phi 18$	2	
F8-11	LTC-1-609-36	38014	BOLT,FLANGE,M6*12	7	
F8-12	LTC-2-011-1	38014	BOLT,FLANGE,M8*20	2	
F8-13	LTC-9-073-1	38033	NUT,CAP,M6*17	2	

IMPORTANT NOTICE !!!! PRICES QUOTED ARE INCLUSIVE OF VAT AND EX JHB.
 PRICES MAY VARY FROM DEALER TO DEALER. PRICES MAY CHANGE WITHOUT NOTICE.

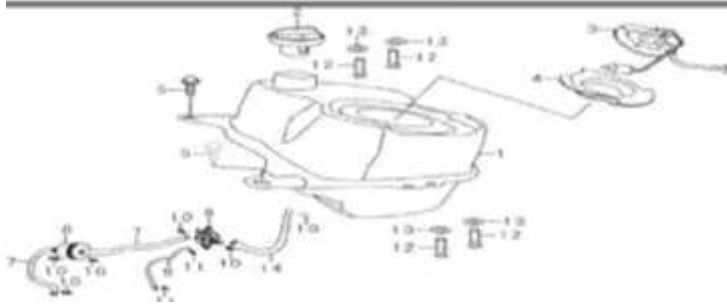
AIR FILTER



Ref	Code	Part No.	Description	Quantity	Price Incl
F16-1	LTC-1-001-1	18002	AIR CLEANER ASSY.	1	
F16-2	LTC-1-001-15	38096	CLIP	1	
F16-3	LTC-1-001-9	18013	ELEMENT,AIR CLEANER	1	
No Ref	LTC-1-001-4		AIR FILTER COVER	1	
No Ref	LTC-1-004-1		SELF - TAPPING SCREW ST4.8 X 16	8	
No Ref	LTC-1-001-2		AIRFILTER CASING	1	
No Ref	LTC-1-609-36		BOLT M6×12	1	
No Ref	LTC-1-050-4		BOLT M6×16	3	

IMPORTANT NOTICE !!!! PRICES QUOTED ARE INCLUSIVE OF VAT AND EX JHB.
 PRICES MAY VARY FROM DEALER TO DEALER. PRICES MAY CHANGE WITHOUT NOTICE.

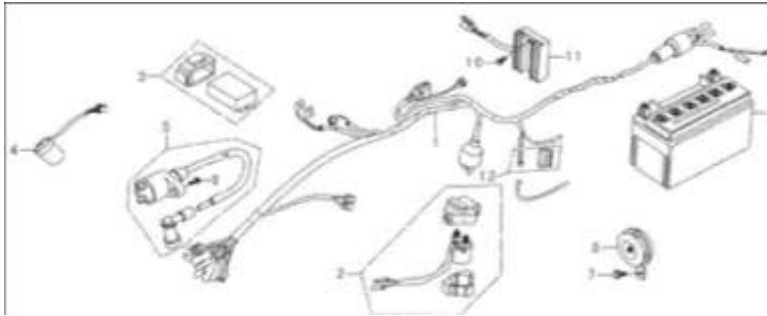
FUEL TANK



Ref	Code	Part No.	Description	Quantity	Price Incl
F5-1	LTC-4-004-5	17050	TANK COMP.,FUEL	1	
F5-2	LTC-4-001-1	17087	CAP,FUEL TANK	1	
F5-3	LTC-4-002-5	28185	FUEL SENSOR UNIT	1	
F5-4	LTC-4-003-2	28187	CLIP,FUEL SENSOR	1	
F5-5	LTC-1-609-36	38014	BOLT,FLANGE,M6*12	2	
F5-6	LTC-4-203-5	17098	VACUUM FUEL VALVE	1	
F5-7	Local Purchase	38075	TUBE,FUEL Ø8.5×Ø4.5×125	2	
F5-8	Local Purchase	17001	STRAINER COMP.,FUEL	1	
F5-9	Local Purchase	38075	TUBE,FUEL Ø7.5×Ø3.5×250	1	
F5-10	Local Purchase	38095	CLIP,TUBE Ø8	6	
F5-11	Local Purchase	38095	CLIP,TUBE Ø6.5	2	
F5-12	LTC-1-030-5	38014	BOLT,FLANGE,M6×20	4	
F5-13	LTC-9-055-1	38045	WASHER φ6*φ18	4	
F5-14	Local Purchase	38075	TUBE,FUEL Ø8.5×Ø4.5×280	1	

**IMPORTANT NOTICE !!!! PRICES QUOTED ARE INCLUSIVE OF VAT AND EX JHB.
PRICES MAY VARY FROM DEALER TO DEALER. PRICES MAY CHANGE WITHOUT NOTICE.**

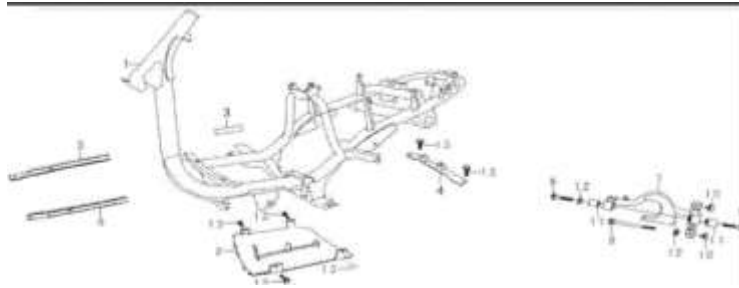
MAIN WIRE HARNESS



Ref	Code	Part No.	Description	Quantity	Price Incl
F19-1	LTC-10-010-1	27123	WIRE HARNESS	1	
F19-2	LTC-10-019-1	27081	RELAY ASSY.,STARTING	1	
F19-3	LTC-10-004-1	27100	CDI UNIT	1	
F19-4	LTC-10-011-1	28015	WINKER,RELAY ASSY.	1	
F19-5	LTC-10-023-1	27092	COIL ASSY.,IGNITION	1	
F19-6	LTC-1-030-5	38014	BOLT M6×20	1	
F19-7	LTC-1-609-36	38014	BOLT,FLANGE,M6*12	1	
F19-8	LTC-10-009-1	28019	HORN ASSY.	1	
F19-9	LTC-10-001-1	27106	BATTERY(LIQUID)	1	
F19-10	LTC-1-050-4	38014	BOLT,FLANGE,M6*16	1	
F19-11	LTC-10-022-1	27088	RECTIFIER COMP.,REGULATE	1	
F19-12	CC-10-010-15	27249	FUSE	1	

**IMPORTANT NOTICE !!!! PRICES QUOTED ARE INCLUSIVE OF VAT AND EX JHB.
PRICES MAY VARY FROM DEALER TO DEALER. PRICES MAY CHANGE WITHOUT NOTICE.**

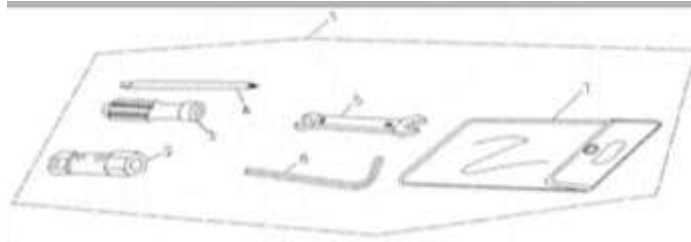
FRAME



Ref	Code	Part No.	Description	Quantity	Price Incl
F1-1	NOT AVAILABLE	30012	BODY COMP.,FRAME	1	
F1-2	LTC-9-027-5	34216	PROTECTOR PLATE,ENGINE	1	
F1-3	NOT AVAILABLE	37041	NAMEPLATE, FRAME	1	
F1-4	LTC-9-011-10	35016	BRACKET, LUGGAGE BOX	1	
F1-5	LTC-11-008-20	34218	BRACKET,RIGHT FOOTREST	1	
F1-6	LTC-11-007-20	34218	BRACKET,LEFT FOOTREST	1	
F1-7	LTC-1-525-1	30011	BRACKET,ENGINE	1	
F1-8	LTC-9-030-1	38087	BOLT,HEX.,	1	
F1-9	LTC-1-525-2	38014	BOLT,FLANGE	2	
F1-10	LTC-1-525-2	30155	WASHER,ENGINE BRACKET	2	
F1-11	LTC-1-525-3	38082	BUSH	2	
F1-12	LTC-2-002-1	38040	NUT,LOCK,M10	2	
F1-13	LTC-1-609-36	38014	BOLT,FLANGE,M6*12	6	

IMPORTANT NOTICE !!!! PRICES QUOTED ARE INCLUSIVE OF VAT AND EX JHB.
 PRICES MAY VARY FROM DEALER TO DEALER. PRICES MAY CHANGE WITHOUT NOTICE.

TOOLS



Ref	Code	Part No.	Description	Quantity	Price Incl
F20-1	BA/X5/TOOLK	36001	TOOL SET	1	