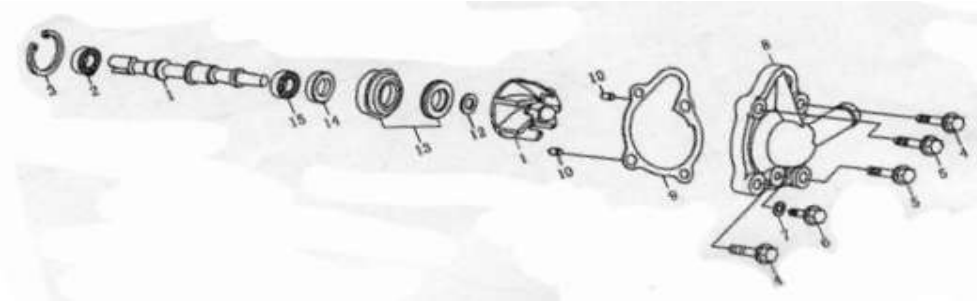


**IMPORTANT NOTICE !!!! PRICES QUOTED ARE INCLUSIVE OF VAT AND EX JHB.
PRICES MAY VARY FROM DEALER TO DEALER. PRICES MAY CHANGE WITHOUT NOTICE.**

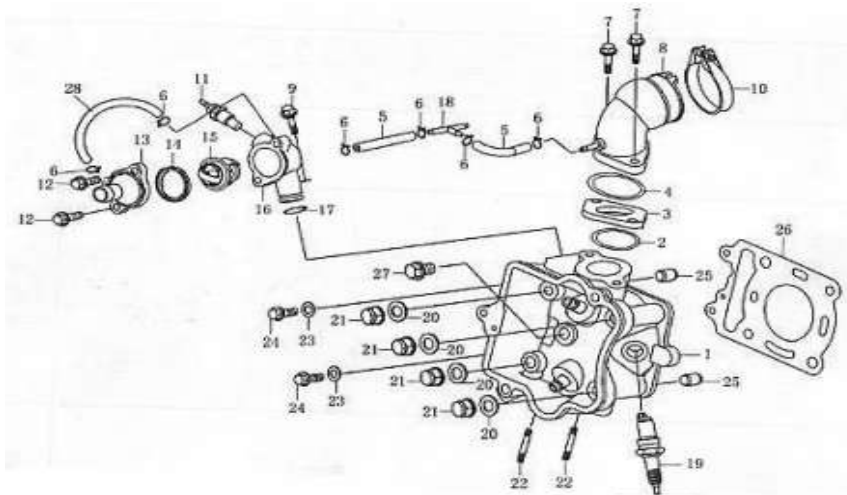
WATER PUMP SYSTEM



Ref	Code	Manf P/N	Description	PRICE INCL
0	ML-1-524-1		WATER PUMP ASSEMBLY	TBA
1	ML-1-524-5	152MI-080003	SHAFT	TBA
2	ML-1-524-6000	GB/T276-1994	BEARING 6000/P6	TBA
3	ML-1-524-7	GB893.1-86	WASHER 26	TBA
4	XL-1-050-6	152MI-080012	BOLT M6 X 32	R 5.27
5	XL-1-052-1	152MI-080013	BOLT M6 X 22	R 5.27
6	ML-1-524-10	152MI-080010	BOLT M6X105	TBA
7	ML-1-524-11	152MI-080011	WASHER M6X10	TBA
8	ML-1-524-12	152MI-080005	WATER PUMPCAP	TBA
9	ML-1-524-13	152MI-080004	GASKET	TBA
10	ML-1-524-14	152MI-080008	DOWEL PIN 8X14	TBA
11	ML-1-524-15	152MI-080006	WATER PUMP IMPELLER	TBA
12	ML-1-524-16	152MI-080007	WASHER 75	TBA
13	ML-1-524-17	152MI-081000	WATER SEAL ASSEMBLY	TBA
14	ML-1-524-18	152MI-081009	OIL SEAL 12	TBA
15	ML-1-524-6901	GB/T276-1994	BEARING 6901/P6	TBA

**IMPORTANT NOTICE !!!! PRICES QUOTED ARE INCLUSIVE OF VAT AND EX JHB.
PRICES MAY VARY FROM DEALER TO DEALER. PRICES MAY CHANGE WITHOUT NOTICE.**

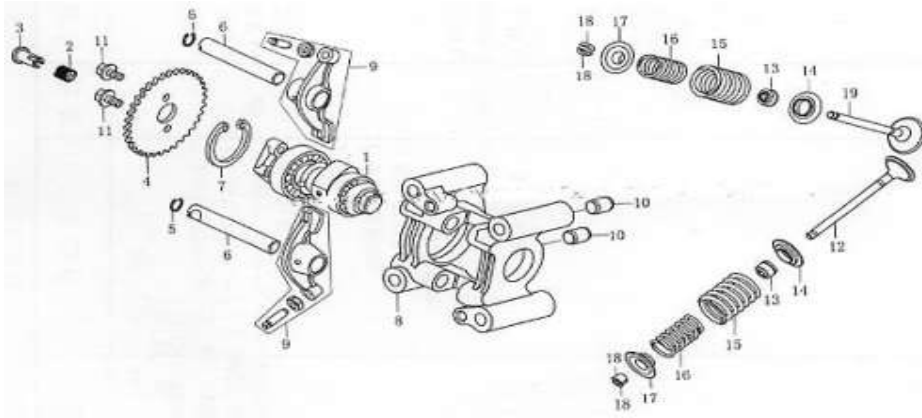
CYLINDER HEAD ASSY



Ref	Code	Manf P/N	Description	PRICE INCL
1	ML-1-047-150	1P58MJ-022300	CYLINDER HEAD ASSEMBLY (150cc)	TBA
2	XL-1-583-2	152MI-022018	O-RING 27 X 20	R 10.49
3	ML-1-031-15	152MI-022019	WASHER	TBA
4	ML-1-583-15	152MI-022016	O RING	TBA
5	Local Purchase	152MI-022019	TUBE	TBA
6	Local Purchase	QC/T621-1999	CLIP	TBA
7	XL-1-052-1	152MI-080013	BOLT M6 X 22	R 5.27
8	ML-1-014-15	1P52MI-A-022100	INLET MANIFOLD	TBA
9	XL-1-052-1	152MI-023008	BOLT M6 X 22	R 5.27
10	ML-1-052-15	152MI-022200	CARBURETTOR ATTACH CLAMP	TBA
11	ML-1-513-15	1P52MI-A-022600	TEMPERATURE SENSOR	TBA
12	XL-1-050-4	152MI-090005	BOLT M6 X 16	R 5.27
13	ML-1-512-15	152MI-022801	THERMOSTAT HOUSING COVER	TBA
14	ML-1-525-15	152MI-022802	THERMOSTAT O RING	TBA
15	ML-1-511-15	152MI-022810	THERMOSTAT	TBA
16	ML-1-510-15	152MI-022803	THERMOSTAT HOUSING COVER	TBA
17	ML-1-811-15	152MI-022804	O RING	TBA
18	Local Purchase	152MI-022017	TUBE	TBA
19	CC-1-017-2	152MI-022400	SPARK PLUG (NGK DP8EA-9)	R 44.13
20	XL-1-652-4	152MI-022012	WASHER 8	R 4.39
21	XR-1-571-16	152MI-022013	NUT M8	R 4.39
22	ML-1-049-15	152MI-022007	EXHAUST STUD	TBA
23	XL-1-047-10	GB848-85	WASHER 6	R 4.39
24	XR-1-032-11	152MI-021017	BOLT M6x25	R 12.57
25	XL-1-580-3	152MI-021005	DOWEL PIN 10X14	R 13.12
26	ML-1-048-150	1P58MJ-022011	CYLINDER HEAD GASKET (150cc)	TBA
27	ML-1-048-151	152MI-021007	BOLT	TBA
28	Local Purchase	152MI-021008	TUBE	TBA
	ML-1-007-150		ENGINE 150cc	TBA
	CC-1-028-1		ENGINE OIL (10W40 SF)	R 55.86

**IMPORTANT NOTICE !!!! PRICES QUOTED ARE INCLUSIVE OF VAT AND EX JHB.
PRICES MAY VARY FROM DEALER TO DEALER. PRICES MAY CHANGE WITHOUT NOTICE.**

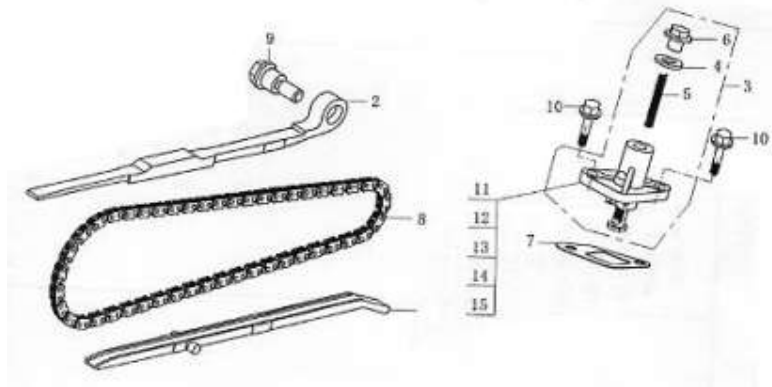
CAMSHAFT & VALVES



Ref	Code	Manf P/N	Description	PRICE INCL
1	XR-1-599-15	1P52MI-A-142003	CAMSHAFT	R 314.21
2	XR-1-599-16	152MI-023304	SPRING	TBA
3	ML-1-599-17	152MI-023305	CONNECTING TUBE	TBA
4	ML-1-599-2	1P52MI-A-142003	CAM DRIVE SPROCKET	TBA
5	XL-1-717-2	GB893.1-86	WASHER 10	R 4.39
6	ML-1-600-15	1P52MI-A-024003	ROCKER VALVE SHAFT	TBA
7	ML-1-599-18	GB893.1-86	CIRCLIP	TBA
8	ML-1-020-6	1P52MI-A-024001	CAM-SHAFT BODY	TBA
9	ML-1-598-15	1P52MI-A-1024200	ASSEMBLY VALVE ROCKER ARM	TBA
10	XL-1-580-3	152MI-021005	DOWEL PIN 10X14	R 13.12
11	XL-3-001-4	152MI-022015	BOLT M5X8	R 4.39
12	ML-1-605-16	152MI-022007	EXHAUST VALVE	TBA
13	ML-1-590-15	152MI-022500	VALVE STEM SEAL	TBA
14	ML-1-589-15	152MI-022001	VALVE SEAT	TBA
15	ML-1-588-15	152MI-022003	OUTER SPRING	TBA
16	ML-1-587-15	152MI-022004	INNER SPRING	TBA
17	ML-1-586-35	152MI-022005	VALVE SPRING RETAINER	TBA
18	ML-1-585-15	152MI-022006	VALVE COLLET	TBA
19	ML-1-591-15	152MI-022002	INLET VALVE	TBA

**IMPORTANT NOTICE !!!! PRICES QUOTED ARE INCLUSIVE OF VAT AND EX JHB.
PRICES MAY VARY FROM DEALER TO DEALER. PRICES MAY CHANGE WITHOUT NOTICE.**

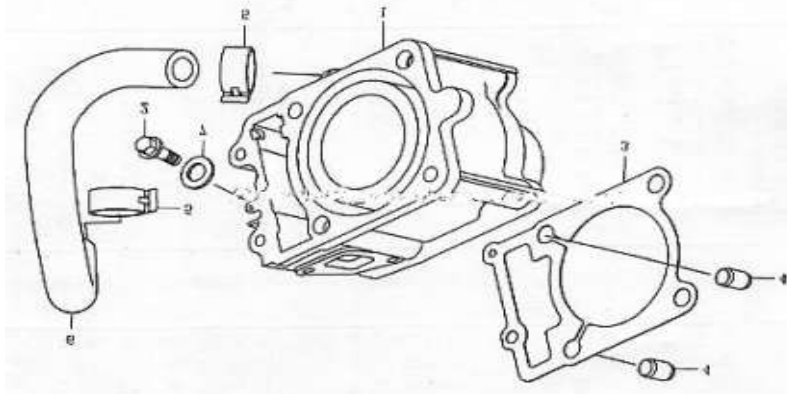
TIMING CHAIN



Ref	Code	Manf P/N	Description	PRICE INCL
1	ML-1-607-10	152MI-023001	GUIDE PLATE ASSEMBLY	TBA
2	ML-1-607-19	152MI-023200	CHAIN GUIDE UPPER	TBA
3	ML-1-607-15	152MI-023300	TENSIONER ASSEMBLY	TBA
4	Part of Item 3	152MI-023305	Washer 8.5	TBA
5	Part of Item 3	152MI-023306	Spring	TBA
6	Part of Item 3	152MI-023307	Bolt	TBA
7	ML-1-607-18	152MI-023004	GASKET	TBA
8	ML-1-608-15	152MI-022400	TIMING CHAIN	TBA
9	ML-1-607-17	152MI-023006	CAM CHAIN TENSIONER PIVOT	TBA
10	XL-1-609-9	152MI-023008	BOLT M6×18	R 5.27
11	Part of Item 3	152MI-023301	Part of Item 3	TBA
12	Part of Item 3	152MI-023302	Part of Item 3	TBA
13	Part of Item 3	GB119.2-2000-3x12	Part of Item 3	TBA
14	Part of Item 3	152MI-023303	Part of Item 3	TBA
15	Part of Item 3	152MI-023304	Part of Item 3	TBA

**IMPORTANT NOTICE !!!! PRICES QUOTED ARE INCLUSIVE OF VAT AND EX JHB.
PRICES MAY VARY FROM DEALER TO DEALER. PRICES MAY CHANGE WITHOUT NOTICE.**

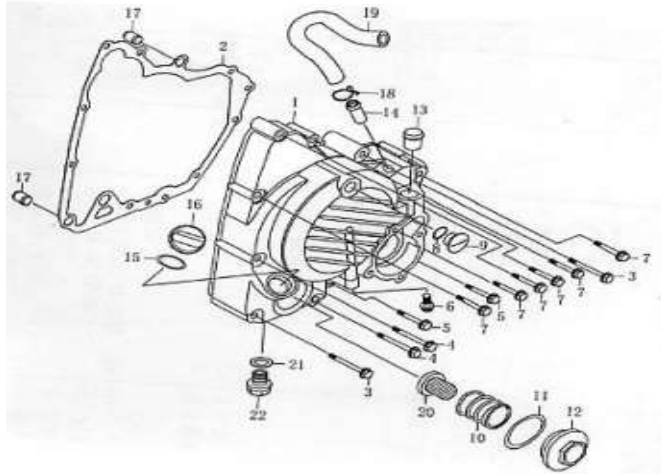
CYLINDER ASSY



Ref	Code	Manf P/N	Description	PRICE INCL
1	ML-1-038-15	1P58MJ-023100	PISTON BARREL (CYLINDER 150cc)	TBA
2	Local Purchase	1P52MI-080013	CLAMP BRAKE MASTER CYLINDER	TBA
3	ML-1-039-15	1P52MI-023005	CYLINDER BASE GASKET 150cc	TBA
4	XL-1-580-3	1P52MI-021005	DOWEL PIN 10X14	R 13.12
5	ML-1-582-15	QC/T621-1999	BARREL BOLT	TBA
6	ML-1-519-15	1P52MI-A-023007	INLET WATER TUBE	TBA

**IMPORTANT NOTICE !!!! PRICES QUOTED ARE INCLUSIVE OF VAT AND EX JHB.
PRICES MAY VARY FROM DEALER TO DEALER. PRICES MAY CHANGE WITHOUT NOTICE.**

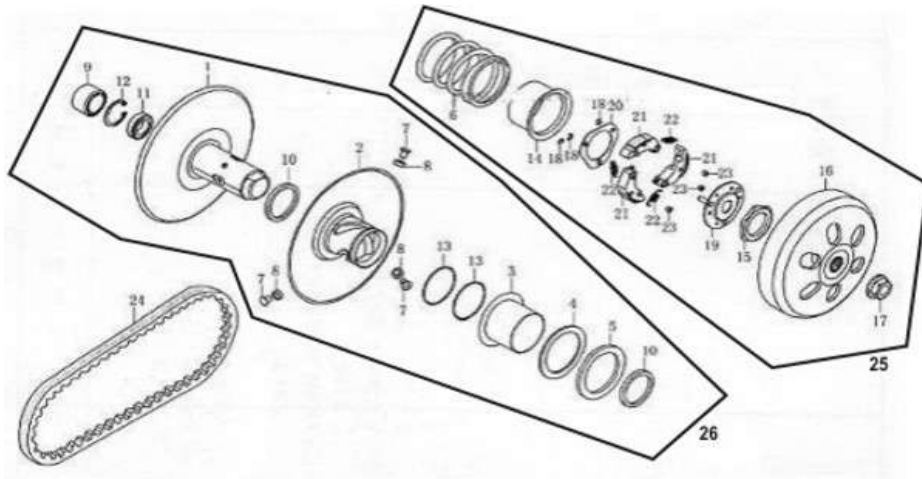
SIDE CASING R/H



Ref	Code	Manf P/N	Description	PRICE INCL
1	ML-1-032-15	1P52MI-013001	ENGINE RIGHT SIDE CASING	TBA
2	ML-1-036-1	1P52MI-013005	RIGHT CASING GASKET	TBA
3	XL-1-007-14	152MI-011017	BOLT M6 X 60	R 5.27
4	XR-1-007-13	152MI-013010	BOLT M6 X 50	R 5.27
5	XL-1-037-1	152MI-013008	BOLT M6 X 35	R 5.27
6	ML-1-032-16	GB/T65-2000	SCREW M6x6	TBA
7	XR-1-029-16	152MI-013009	BOLT M6x40	R 12.57
8	ML-1-032-13	152MI-021009	OIL SEAL	TBA
9	ML-1-026-10	152MI-021008	COVER	TBA
10	ML-1-623-6	152MI-013004	SPRING	TBA
11	ML-1-623-7	152MI-013014	O RING	TBA
12	ML-1-623-8	152MI-013003	SUMP PLUG	TBA
13	ML-1-519-16	152MI-013012	OUTLET WATER TUBE	TBA
14	ML-1-519-17	152MI-013006	OUTLET AIR TUBE	TBA
15	XL-1-614-2	152MI-013013	O RING 18X3	R 10.49
16	ML-1-035-2	1P52MI-A-013002	OIL FILLER CAP & DIPSTICK	TBA
17	XL-1-580-3	152MI-021005	DOWEL PIN 10X14	R 13.12
18	Local Purchase	JB3675.2-84	CLIP	TBA
19	ML-1-519-18	1P52MI-A-013007	TUBE	TBA
20	ML-1-623-5	152MI-013100	OIL SCREEN MESH	TBA
21	XL-1-622-1	152MI-021014	WASHER 12	R 4.39
22	ML-1-623-1	172MM-013005	OIL DRAIN PLUG M12x15	TBA

**IMPORTANT NOTICE !!!! PRICES QUOTED ARE INCLUSIVE OF VAT AND EX JHB.
PRICES MAY VARY FROM DEALER TO DEALER. PRICES MAY CHANGE WITHOUT NOTICE.**

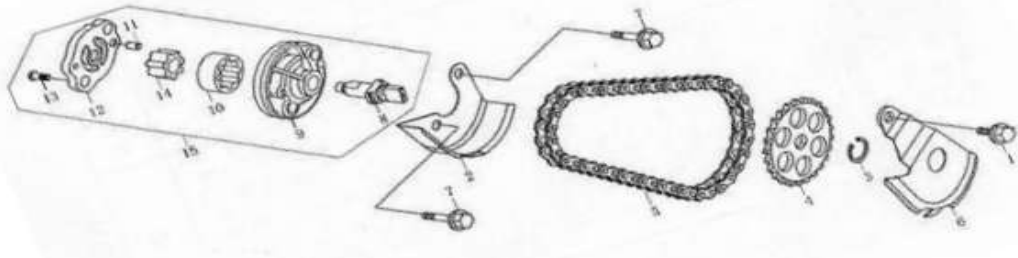
CLUTCH ASSY



Ref	Code	Manf P/N	Description	PRICE INCL
1	Part of Item 26	1P52MI-A-052100	PASSIVE MOVABLE DRIVE	TBA
2	Part of Item 26	1P52MI-A-052200	PASSIVE MOVABLE DRIVE, MOVE	TBA
3	Part of Item 26	1P52MI-A-052001	BUSH	TBA
4	Part of Item 26	1P52MI-A-052005	RUBBER, WASHER	TBA
5	Part of Item 26	1P52MI-A-052006	WASHER	TBA
6	Part of Item 25	1P52MI-A-052002	CLUTCH SPRING	TBA
7	Part of Item 26	1P52MI-A-052003	PIN	TBA
8	Part of Item 26	1P52MI-A-052004	PLUG	TBA
9	Part of Item 26	172MM-052310	BEARING 22X29X18	TBA
10	Part of Item 26	1P52MI-A-052300	PASSIVE MOVABLE DRIVE, SEAL	TBA
11	Part of Item 26	GB/T276-94	BEARING 61902	TBA
12	Part of Item 26	GB894.14-86	CLIP 28A	TBA
13	Part of Item 26	1P52MI-A-052009	O SEAL	TBA
14	Part of Item 26	1P52MI-A-052008	BUSH	TBA
15	Part of Item 25	1P52MI-A-052007	NUT	TBA
16	Part of Item 25	1P52MI-A-052400	CLUTCH, OUTER MOVABLE DRIVE	TBA
17	XR-1-025-31	172MM-052008	NUT M12x125	R 10.49
18	Part of Item 25	1P52MI-A-052503	CLIP 7	TBA
19	Part of Item 25	1P52MI-A-052510	PASSIVE MOVABLE DRIVE	TBA
20	Part of Item 25	1P52MI-A-052501	SIDE MOVABLE DRIVE	TBA
21	Part of Item 25	1P52MI-A-052520	CLUTCH ASSY	TBA
22	Part of Item 25	1P52MI-A-052502	CLUTCH, SPRING	TBA
23	Part of Item 25	1P52MI-A-052530	RUBBER	TBA
24	ML-2-007-15	1P52MI-A-053000	DRIVE BELT	TBA
25	ML-1-025-1		CLUTCH ASSEMBLY	TBA
26	ML-1-025-2		PULLEY ASSEMBLY	TBA

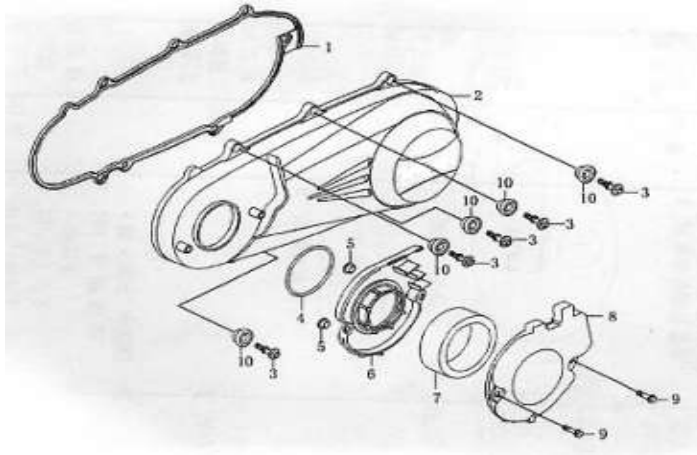
**IMPORTANT NOTICE !!!! PRICES QUOTED ARE INCLUSIVE OF VAT AND EX JHB.
PRICES MAY VARY FROM DEALER TO DEALER. PRICES MAY CHANGE WITHOUT NOTICE.**

OIL PUMP



Ref	Code	Manf P/N	Description	PRICE INCL
1	XR-1-609-36	152MI-021019	BOLT M6×12	R 0.00
2	ML-1-652-10	152MI-072000	BAFFLE PLATE	TBA
3	ML-1-652-17	GB878-85	CLIP	TBA
4	ML-1-652-16	152MI-070001	SPROCKET OIL PUMP	TBA
5	ML-1-652-15	152MI-073000	OIL PUMP CHAIN	TBA
6	ML-1-652-11	152MI-070002	BOLT M5×16	TBA
7	XL-1-053-1	152MI-070003	BOLT M6×28	R 4.89
8	Part of Item 15	152MI-071001	OIL PUMP,SHAFT	TBA
9	Part of Item 15	152MI-071002	OIL PUMP,BODY	TBA
10	Part of Item 15	152MI-071005	OIL PUMP,ROTOR	TBA
11	Part of Item 15	152MI-071006	DOWEL PIN Φ4X14	TBA
12	Part of Item 15	152MI-071003	OIL PUMP CAP	TBA
13	Part of Item 15	GB878-85	SCREW M3X12	TBA
14	Part of Item 15	152MI-071004	OIL PUMP,INSIDE ROTOR	TBA
15	ML-1-661-15	152MI-071000	OIL PUMP ASSEMBLY	TBA

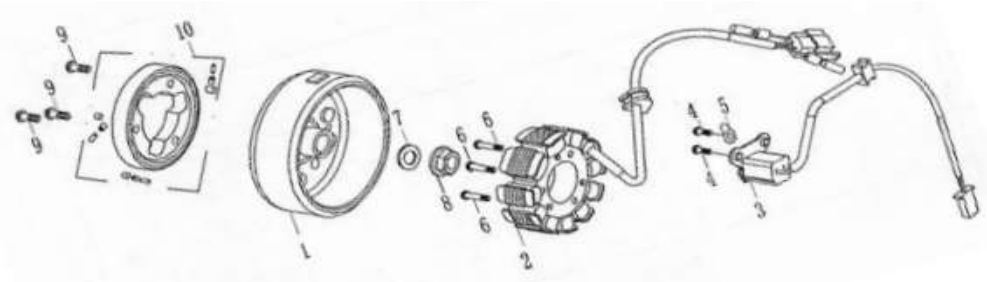
DRIVE BELT COVER



Ref	Code	Manf P/N	Description	PRICE INCL
1	ML-1-027-15	1P52MI-A-012002	GASKET	TBA
2	ML-1-026-2	1P52MI-A-012001	DRIVE BELT ALLOY COVER	TBA
3	ML-1-029-16	1P52MI-A-012201	BOLT M8X55	TBA
4	ML-1-026-17	1P52MI-A-012003	O RING CYCLONIC FILTER	TBA
5	ML-1-026-21	1P52MI-A-012103	BUSH	TBA
6	ML-1-026-18	1P52MI-A-012101	INLET AIR BODY	TBA
7	ML-1-026-19	1P52MI-A-012104	FILTER CORE	TBA
8	ML-1-026-20	1P52MI-A-012102	INLET AIR COVER	TBA
9	XL-1-609-9	1P52MI-A-012004	BOLT M6×18	R 5.27
10	ML-1-026-3	1P52MI-A-012202	GROMMET	TBA

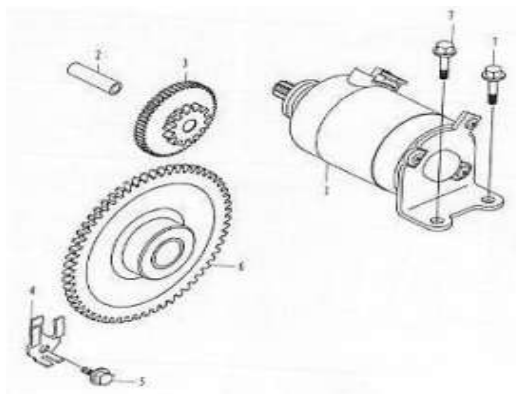
**IMPORTANT NOTICE !!!! PRICES QUOTED ARE INCLUSIVE OF VAT AND EX JHB.
PRICES MAY VARY FROM DEALER TO DEALER. PRICES MAY CHANGE WITHOUT NOTICE.**

MAGNETO ASSY



Ref	Code	Manf P/N	Description	PRICE INCL
1	ML-1-030-15	1P52MI-A-031000	MAGNETO FLYWHEEL ASSEMBLY	TBA
2	ML-1-030-16	1P52MI-A-032000	STATOR ASSEMBLY	TBA
3	ML-1-030-17	1P52MI-033000	FLYWHEEL POSITION SENSOR (PHONIC WHEEL)	TBA
4	XL-1-652-11	1P52MI-030002	BOLT M5×16	R 4.39
5	ML-1-030-17	1P52MI-030001	FLYWHEEL POSITION SENSOR (PHONIC WHEEL)	TBA
6	ML-1-030-15	1P52MI-030003	MAGNETO FLYWHEEL ASSEMBLY	TBA
7	ML-1-717-16	1P52MI-051004	WASHER 14	TBA
8	ML-1-717-15	1P52MI-040008	NUT M14	TBA
9	ML-1-609-9	1P52MI-090006	BOLT M6×18	TBA
10	ML-11-050-16	1P52MI-092000	START CLUTCH ASSEMBLY	TBA

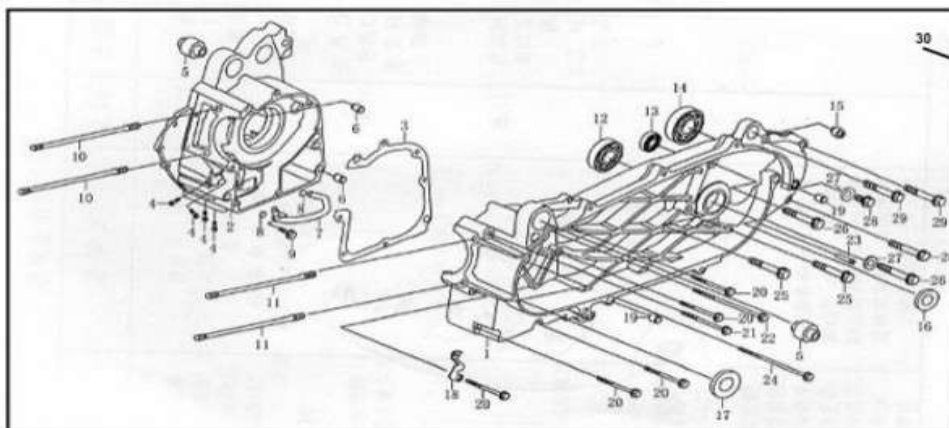
STARTER MOTOR



Ref	Code	Manf P/N	Description	PRICE INCL
1	ML-11-050-15	1P52MI-003000	MOTOR	TBA
2	ML-11-050-18	152MI-080002	DOUBLE GEAR SHAFT	TBA
3	ML-11-050-17	152MI-080001	DOUBLE GEAR	TBA
4	ML-11-050-22	152MI-080004	FIXED PLATE	TBA
5	XR-1-609-36	152MI-021019	BOLT M6×12	R 0.00
6	ML-1-725-1	152MI-091000	STARTER GEAR ASSEMBLY	TBA
7	XR-1-560-5	152MI-090005	BOLT M6×16	R 5.27

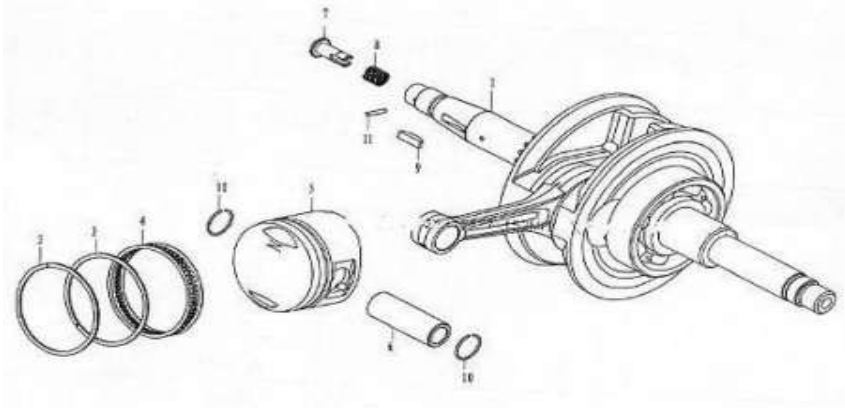
**IMPORTANT NOTICE !!!! PRICES QUOTED ARE INCLUSIVE OF VAT AND EX JHB.
PRICES MAY VARY FROM DEALER TO DEALER. PRICES MAY CHANGE WITHOUT NOTICE.**

CRANKCASE



Ref	Code	Manf P/N	Description	PRICE INCL
1	ML-1-007-20	1P52MI-A-011200	LEFT CRANKCASE CASING	TBA
2	ML-1-007-10	1P52MI-A-011300	RIGHT CRANKCASE CASING	TBA
3	ML-1-668-5	1P52MI-A-011003	GASKET CRANKCASE	TBA
4	XR-1-007-11	GB/T65-2000	BOLT M5X6	TBA
5	ML-1-665-5	1P52MI-011400	BUSH ENGINE MOUNTING	TBA
6	XL-1-580-3	1P52MI-021005	DOWEL PIN 10X14	R 13.12
7	ML-1-519-19	1P52MI-011600	OIL INLET TUBE	TBA
8	ML-1-519-20	1P52MI-011006	RADIATOR HOSE OUTLET	TBA
9	XR-1-609-36	1P52MI-021019	BOLT M6x12	R 0.00
10	XR-1-662-1	1P52MI-A-011005	CYLINDER STUD B	R 62.84
11	XR-1-663-1	1P52MI-A-011004	CYLINDER STUD A	R 62.84
12	ML-1-010-60002	172MM-060002	BEARING 22X50X14	TBA
13	ML-1-010-6202	GB/T276-1994	BEARING 6202	TBA
14	ML-1-010-6204	GB/T276-1994	BEARING 6204	TBA
15	XR-1-665-6	152MI-011500	BUSH	R 62.84
16	ML-2-019-3	GB/T9877.1-1988	OIL SEAL	TBA
17	ML-2-019-4	152MI-011002	OIL SEAL 19.8x30x7	TBA
18	ML-1-026-15	1P52MI-A-011800	SMALL AIR FILTER BRACKET	TBA
19	XR-1-571-18	152MI-011007	DOWEL PIN 10x16	R 31.44
20	XL-1-007-14	152MI-011017	BOLT M6 X 60	R 5.27
21	XL-1-029-1	1P52MI-011018	BOLT M6 X 70	R 12.57
22	ML-1-524-10	152MI-011015	BOLT M6X105	TBA
23	ML-1-007-21	1P39MP-022306	MIDDLE TUBE 6X30	TBA
24	ML-1-524-10	1P52MI-A-011006	BOLT M6X105	TBA
25	XR-3-001-7	1P39MB-012006	BOLT M8x50	TBA
26	ML-1-029-15	1P39MB-012005	BOLT M8X45	TBA
27	XL-1-652-4	152MI-021016	WASHER 8	R 4.39
28	ML-1-010-112	1P39MB-012003	DRAIN PLUG	TBA
29	ML-1-029-16	1P52MI-A-011007	BOLT M8X55	TBA
30	ML-1-007-2		ENGINE 150CC	TBA
No Ref	CC-1-028-1	10W40 (SF)	ENGINE OIL (10W40 SF)	R 55.86

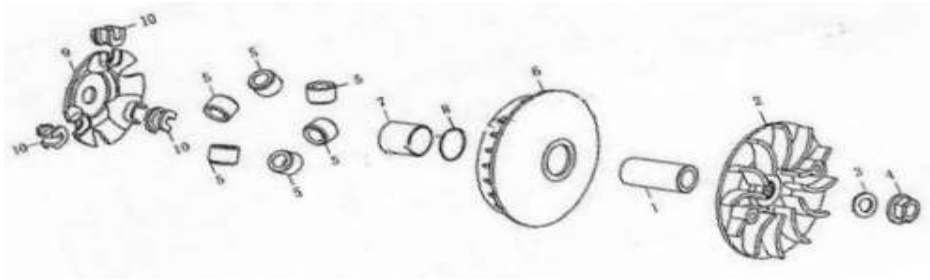
CRANKSHAFT & PISTON



Ref	Code	Manf P/N	Description	PRICE INCL
1	ML-1-007-1	1P52MI-A-041000	CRANKSHAFT ASSEMBLY	TBA
2	ML-1-044-1	1P58MJ-040004	PISTON RING (1ST)	TBA
3	ML-1-044-2	1P58MJ-040005	PISTON RING (2ND)	TBA
4	ML-1-044-3	1P58MJ-042000	OIL RING ASSEMBLY	TBA
5	ML-1-040-2	1P58MJ-040001	PISTON (150cc)	TBA
6	ML-1-686-2	152MI-040002	PISTON PIN	TBA
7	ML-1-683-2	152MI-040011	PISTON PIN CIRCLIP	TBA
8	ML-1-007-2	152MI-040010	ENGINE 150CC	TBA
9	ML-1-007-3	152MI-040006	BOLT M10×36	R 8.74
10	ML-1-683-2	152MI-040003	PISTON PIN CIRCLIP	TBA
11	ML-1-683-2	152MI-040009	PISTON PIN CIRCLIP	TBA

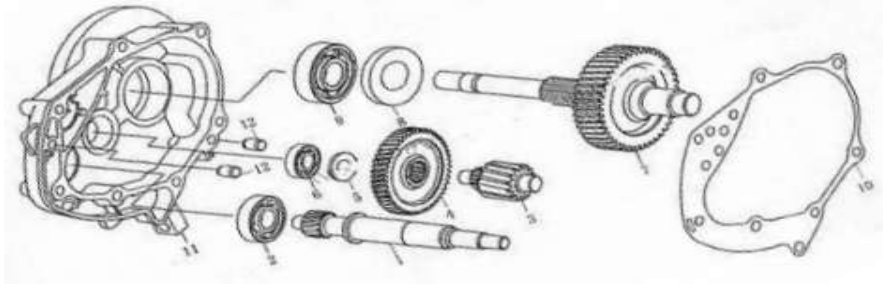
**IMPORTANT NOTICE !!!! PRICES QUOTED ARE INCLUSIVE OF VAT AND EX JHB.
PRICES MAY VARY FROM DEALER TO DEALER. PRICES MAY CHANGE WITHOUT NOTICE.**

CVT SYSTEM



Ref	Code	Manf P/N	Description	PRICE INCL
0	ML-2-019-12		VARIATOR ASSEMBLY	TBA
1	ML-2-019-10	1P52MI-A-051001	CVT BUSH	TBA
2	ML-2-019-11	1P52MI-A-051002	CVT FAN & PULLY FACE	TBA
3	ML-2-019-6	152MI-051004	WASHER 14X28X2	TBA
4	ML-2-019-7	172MM-051007	GUIDE BLOCK	TBA
5	X5-2-019-9	1P52MI-A-051110	ROLLER ASSEMBLY	R 31.44
6	ML-2-019-5	1P52MI-A-051101	CVT INNER PULLEY FACE	TBA
7	ML-2-019-13	1P52MI-A-051102	BUSH	TBA
8	ML-2-019-14	1P52MI-A-051103	WASHER	TBA
9	ML-2-019-8	1P52MI-A-051104	RAMP PLATE	TBA
10	ML-2-019-7	1P52MI-A-051105	GUIDE BLOCK	TBA

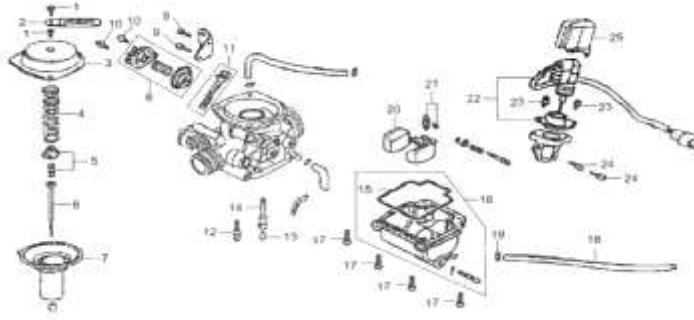
FINAL DRIVE



Ref	Code	Manf P/N	Description	PRICE INCL
1	ML-1-010-103	1P58MJ-060001	DRIVE SHAFT	TBA
2	ML-1-010-6310	GB/T276-1994	BEARING 6310	TBA
3	ML-1-010-102	1P52MI-A-060002	COUNTER SHAFT ASSEMBLY	TBA
4	ML-1-010-101	1P52MI-A-060003	FINAL GEAR ASSEMBLY	TBA
5	ML-1-010-115	1P52MI-A-060004	ADJUST WASHER 12	TBA
6	ML-1-010-6201	GB/T276-1994	BEARING 6201	TBA
7	ML-1-010-100	1P52MI-A-061000	FINAL SHAFT	TBA
8	ML-1-010-113	172MM-011009	OIL SEAL 34X52X5	TBA
9	ML-1-010-6205	GB/T276-1994	BEARING 6205	TBA
10	ML-1-010-108	1P52MI-A-060005	GASKET TRANSMISSION CASE	TBA
11	ML-1-010-109	1P52MI-A-060006	TRANSMISSION CASE	TBA
12	XL-1-580-3	152MI-021005	DOWEL PIN 10X14	R 13.12

IMPORTANT NOTICE !!!! PRICES QUOTED ARE INCLUSIVE OF VAT AND EX JHB.
 PRICES MAY VARY FROM DEALER TO DEALER. PRICES MAY CHANGE WITHOUT NOTICE.

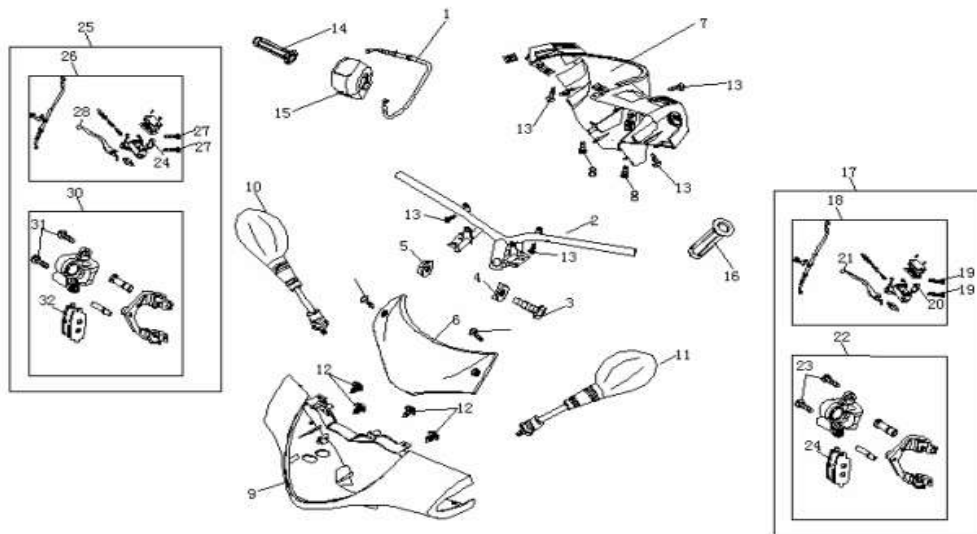
CARBURETTOR



Ref	Code	Manf P/N	Description	PRICE INCL
1	XR-1-002-50	GB/T818-2000	SCREW M4×8	TBA
2	XR-1-002-51	17104-J204-0000	PLATE CLIP	TBA
3	XR-1-002-52	17102-J204-0000	CAPVACUUM PISTON VALVE	R 41.90
4	XR-1-002-53	17176-J204-0000	SPRING	R 31.44
5	XR-1-002-54	17153-J204-0000	PLATE SET	TBA
6	XR-1-002-3	17156-J204-0000	NEEDLE ASSEMBLY	TBA
7	XR-1-002-2	17110-J204-0000	VACUUM PISTON VALVE	R 63.13
8	XR-1-002-55	17105-J204-0000	AIR BLOCK VALVE	R 41.90
9	XR-1-002-56	GB/T818-2000	SCREW M5×12	TBA
10	XR-1-002-57	GB/T818-2000	SCREW M4×10	TBA
11	XR-1-002-58	17111-J204-0000	SCREW SET	TBA
12	XR-1-002-59	91125-J204-0000	INJECTING NOZZLE	TBA
13	XR-1-002-60	17118-J204-0000	MAIN INJECTING NOZZLE	TBA
14	XR-1-002-61	17153-J204-0000	BASE OIL NEEDLE	TBA
15	XR-1-002-62	17174-J204-0000	GASKET	R 62.84
16	XR-1-002-63	17140-J204-0000	FLOAT CHAMBER	R 104.74
17	XR-1-002-64	GB/T818-2000	SCREW M4×14	TBA
18	XR-1-002-65	17148-J204-0000	OVERFLOW TUBE	R 41.90
19	XR-1-002-66	17150-J204-0000	TUBE CLIP	TBA
20	XR-1-002-4	17154-J204-0000	FLOAT ASSEMBLY	R 62.84
21	XR-1-002-67	17155-J204-0000	FLOAT CANISTER VALVE	TBA
22	XR-1-002-68	171B3-J204-0000	STARTING VALVE SET	R 50.49
23	XL-1-599-3	GB/T818-2000	BOLT M5×12	R 5.86
24	XR-1-002-70	GB/T818-2000	SCREW M4×8	TBA
25	XR-1-002-71	171B8-J204-0000	STARTING VALVE	TBA
1	ML-1-002-1	1P52MI-A-100000	CARBURETTOR ASSEMBLY	TBA

**IMPORTANT NOTICE !!!! PRICES QUOTED ARE INCLUSIVE OF VAT AND EX JHB.
PRICES MAY VARY FROM DEALER TO DEALER. PRICES MAY CHANGE WITHOUT NOTICE.**

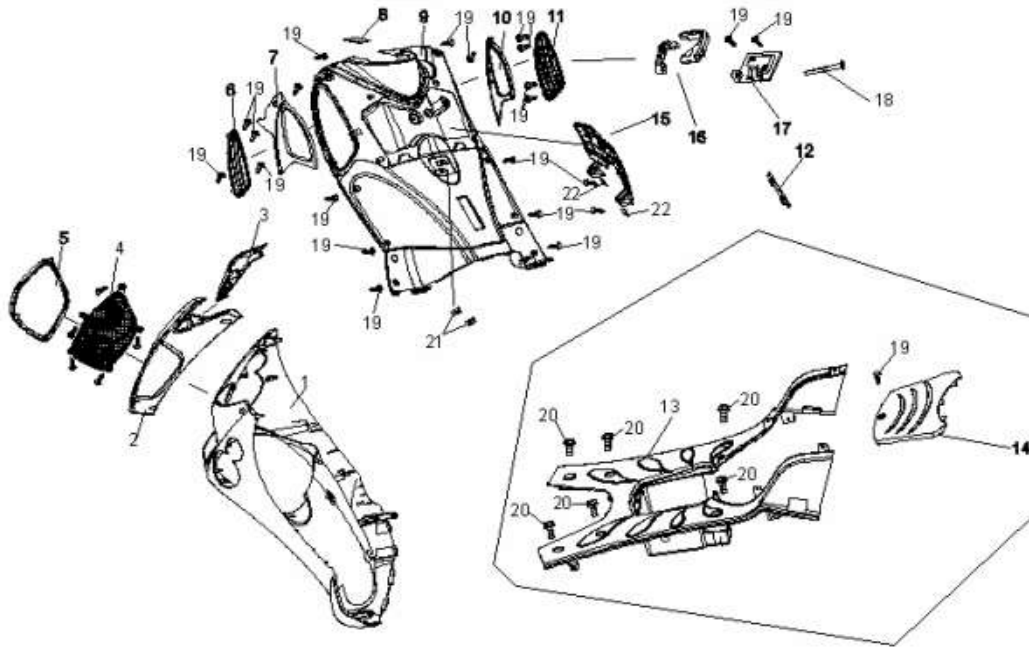
CONTROLS & HANDLEBAR



Ref	Code	Manf P/N	Description	PRICE INCL
1	ML-1-021-5	540400-TK2A-0000	THROTTLE CABLE	TBA
2	ML-8-002-5	505100-TK2A-0000	HANDLEBAR TUBE ASSEMBLY	TBA
3	XL-9-040-1	GB/T 5789-1986	BOLT M10 X 50	R 8.74
4	X5-9-039-5	504101-TK2A-0000	SADDLE BUSH	TBA
5	XL-2-002-1	505001-TACD-0000	NUT M10 X 1.25	R 4.39
6	ML-9-020-BLK-11	606102-TK2A-0000	HANDELBAR UPPER FAIRING	TBA
7	ML-9-021-5	601102-TK2A-0000	HANDLEBAR REAR FAIRING	TBA
8	XL-1-599-3	GB/T 818-1985	BOLT M5x12	R 5.86
9	ML-9-020-BLK-10	601101-TK2A-0000	HANDLEBAR FRONT FAIRING	TBA
10	ML-11-014-50	610200-TK2A-0000	RIGHT REARVIEW MIRROR	TBA
11	ML-11-014-50	610100-TK2A-0000	RIGHT REARVIEW MIRROR	TBA
12	XL-9-050-1	GB/T 845-1985	SCREW TAPPING ST4.8x12	R 4.39
13	XR-9-020-7	GB/T 845-1985	SCREW ST4.2x16	R 2.64
14	ML-8-004-5	530402-TK2A-0000	RIGHT HANDLEBAR GRIP	TBA
15	ML-10-018-15	530700-TK2A-0000	THROTTLE CONTROL ASSEMBLY	TBA
16	ML-8-003-5	530301-TK2A-0000	LEFT HANDLEBAR GRIP	TBA
17	See items 18 & 22	406000-TK2A-0000	REAR BRAKE ASSEMBLY	TBA
18	ML-5-003-5	406110-TK2A-0000	MASTER CYLINDER ASSEMBLY	R 502.74
19	XL-1-052-1	GB/T 5789-1986	BOLT M6 X 22	R 5.27
20	ML-5-102-7	406101-TK2A-0000	CLAMP BRAKE MASTER CYLINDER	TBA
21	Part of item 18	530101-TK2A-0000	REAR BRAKE LEVER	TBA
22	ML-5-107-125	404200-TK2A-0000	CALIPER ASSEMBLY	TBA
23	ML-5-107-11	GB/T 5789-1986	BOLT M8*30	R 7.03
24	ML-5-059-125	405100-TK2A-0000	BRAKE PADS	TBA
25	See items 25 & 26	404000-TK2A-0000	FRONT BRAKE ASSEMBLY	TBA
26	ML-5-102-5	404100-TK2A-0000	MASTER CYLINDER ASSEMBLY	R 502.74
27	XL-1-052-1	GB/T 5789-1986	BOLT M6 X 22	R 5.27
28	ML-5-102-7	404101-TK2A-0000	CLAMP BRAKE MASTER CYLINDER	TBA
29	ML-5-102-8	530201-TK2A-0000	FRONT BRAKE LEVER	R 104.74
30	ML-5-107-125	404200-TK2A-0000	CALIPER ASSEMBLY	TBA
31	ML-5-107-11	GB/T 5789-1986	BOLT M8*30	R 7.03
32	ML-5-059-126	403100-TK2A-0000	BRAKE PADS	TBA

**IMPORTANT NOTICE !!!! PRICES QUOTED ARE INCLUSIVE OF VAT AND EX JHB.
PRICES MAY VARY FROM DEALER TO DEALER. PRICES MAY CHANGE WITHOUT NOTICE.**

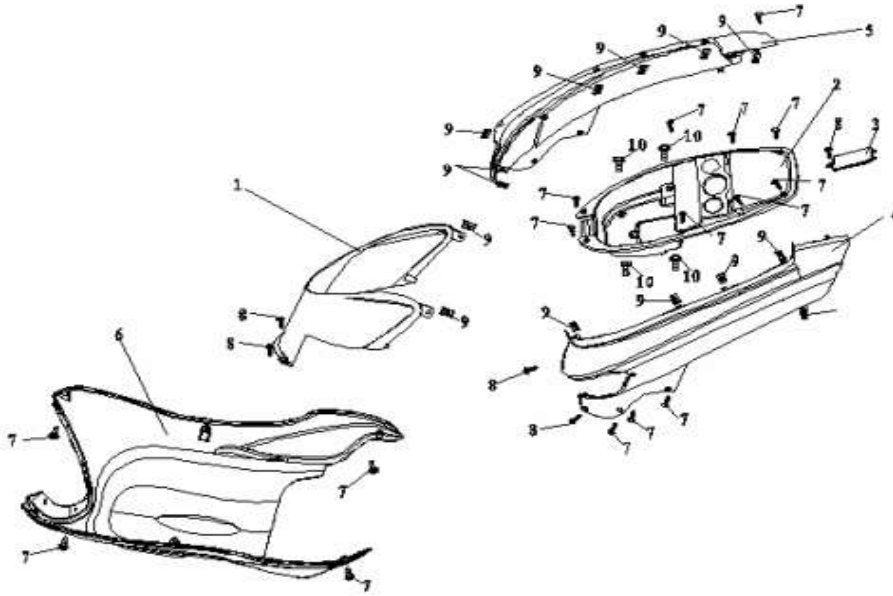
FAIRINGS FRONT



Ref	Code	Manf P/N	Description	PRICE INCL
1	ML-9-002-BLK-15	601601-TK2A-0000	FRONT WRAP-ROUND	TBA
2	ML-9-003-BLK-15	601103-TK2A-0000	FRONT COVER	TBA
3	ML-9-003-BLK-16	508009-TK2A-0000	FRONT COVER TRIM COVER	TBA
4	ML-9-002-16	000000-TK2A-0000	GRILLE	TBA
5	ML-9-002-17	508044-TK2A-0000	GRILLE SURROUND	TBA
6	ML-9-003-20	601314-TK2A-0000	AIRFLOW COVER L	TBA
7	ML-9-003-21	508042-TK2A-0000	LEFT SIDE COVERS	TBA
8	ML-9-022-16	601308-TK2A-0000	FILLER	TBA
9	ML-9-022-15	601301-TK2A-0000	DOCUMENT BOX	TBA
10	ML-9-003-31	508043-TK2A-0000	RIGHT SIDE COVERS	TBA
11	ML-9-003-30	601315-TK2A-0000	AIRFLOW COVER R	TBA
12	ML-9-022-6	601303-TK2A-0000	VIN NUMBER COVER	TBA
13	ML-9-001-15	601401-TK2A-0000	FOOTWELL BASE PANEL	TBA
14	ML-10-003-5	601403-TK2A-0000	BATTERY BOX COVER	TBA
15	ML-9-023-15	601305-TK2A-0000	COVER OF FRONT INNER BOX	TBA
16	ML-9-023-16	601504-TK2A-0000	HELMET HOOK	TBA
17	ML-9-023-17	601511-TK2A-0000	HOOK BASE	TBA
18	ML-9-023-18	601512-TK2A-0000	BOLT	TBA
19	XR-9-020-7	GB/T 845-1985	SCREW ST4.2x16	R 2.64
20	XR-1-609-36	GB/T 5789-1986	BOLT M6x12	R 0.00
21	X5-9-020-9	821042-TK2A-0000	CLIP ST4.2	R 13.12
22	XL-1-037-18	601322-TK2A-0000	SCREW M6 X 12	R 4.39

**IMPORTANT NOTICE !!!! PRICES QUOTED ARE INCLUSIVE OF VAT AND EX JHB.
PRICES MAY VARY FROM DEALER TO DEALER. PRICES MAY CHANGE WITHOUT NOTICE.**

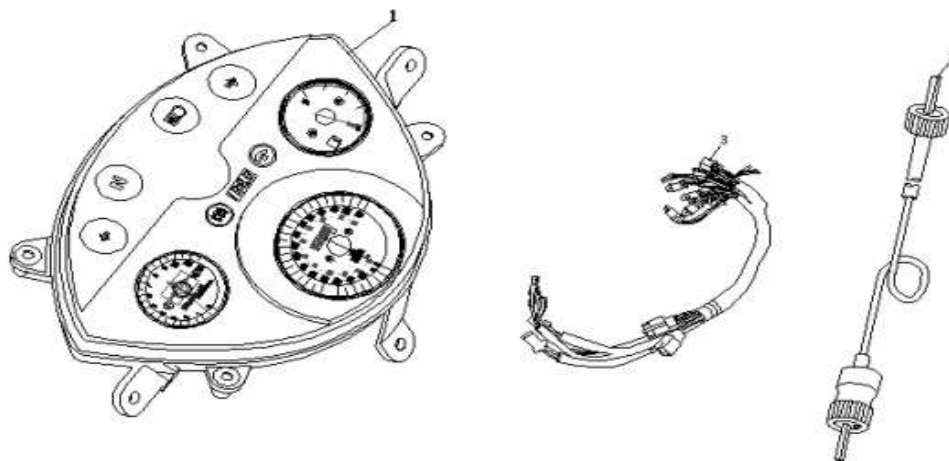
FAIRINGS REAR



Ref	Code	Manf P/N	Description	PRICE INCL
1	ML-9-026-5	601503-TK2A-0000	CENTER COVER	TBA
2	ML-9-018-5	601501-TK2A-0000	UNDERSEAT STORAGE BOX	TBA
3	ML-9-018-6	601502-TK2A-0000	INNER COVER STORAGE BOX	TBA
4	ML-9-007-BLK-15	601201-TK2A-0000	LEFT REAR SIDE FAIRING	TBA
5	ML-9-006-BLK-15	601202-TK2A-0000	RIGHT REAR SIDE FAIRING	TBA
6	ML-9-027-5	601405-TK2A-0000	BOTTOM COVER	TBA
7	XR-9-020-7	GB/T 845-1985	SCREW ST4.2×16	R 2.64
8	XL-9-050-1	GB/T 845-1985	SCREW TAPPING ST4.8×12	R 4.39
9	X5-9-020-9	821042-TK2A-0000	CLIP ST4.2	R 13.12
10	XR-1-560-5	GB/T 5789-1986	BOLT M6×16	R 5.27

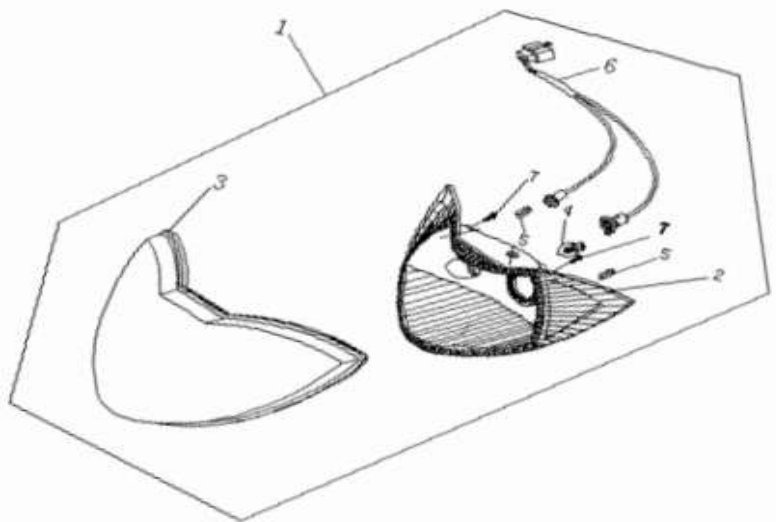
**IMPORTANT NOTICE !!!! PRICES QUOTED ARE INCLUSIVE OF VAT AND EX JHB.
PRICES MAY VARY FROM DEALER TO DEALER. PRICES MAY CHANGE WITHOUT NOTICE.**

SPEEDOMETER



Ref	Code	Manf P/N	Description	PRICE INCL
1	ML-10-026-5	340000-TK2A-0000	SPEEDOMETER ASSEMBLY	R 174.56
2	ML-1-018-5	541100-TK2A-0000	SPEEDOMETER CABLE	TBA
3	Part of Item 1	340100-TK2A-0000	HARNESS	TBA

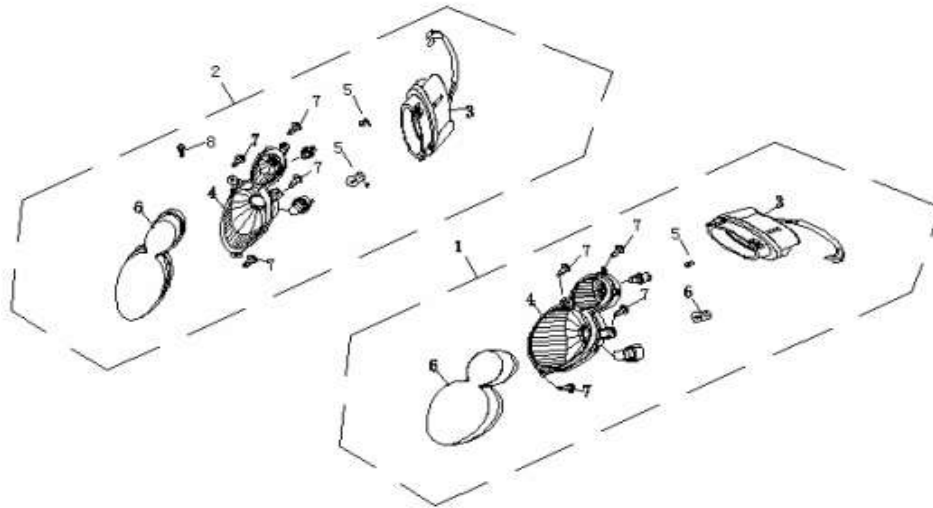
HEAD LIGHT ASSY



Ref	Code	Manf P/N	Description	PRICE INCL
1	ML-10-007-5	320100-TK2A-0000	HEAD LIGHT ASSEMBLY (FRONT)	TBA
2	Part of item 1	320131-TK2A-0000	REFLECTOR	TBA
3	Part of item 1	320140-TK2A-0000	LENS	TBA
4	CC-10-007-35	320110-TK2A-0000	BULB 35W/35W12V	R 37.19
5	XL-10-008-5	320510-TK2A-0000	POSITION BULB 5W12V	R 8.74
6	Part of item 1	320150-TK2A-0000	HARNESS	TBA
7	XR-9-020-7	GB/T 845-1985	SCREW ST4.2x16	R 2.64

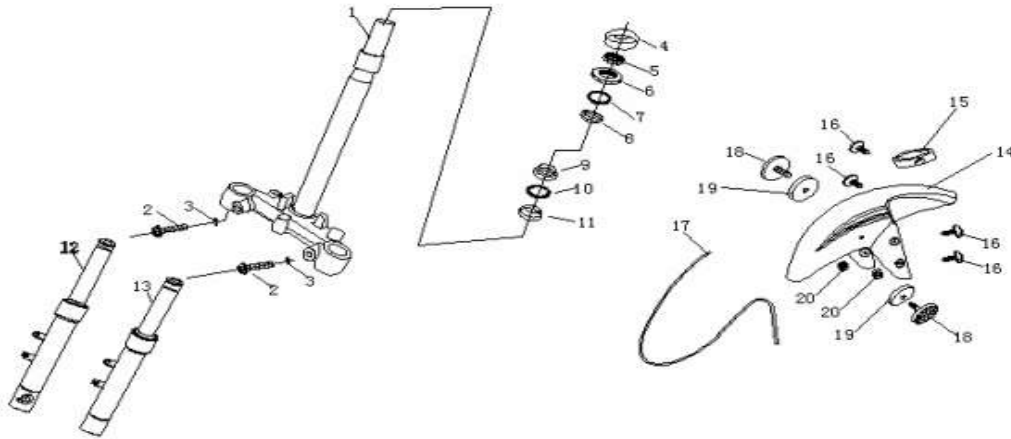
**IMPORTANT NOTICE !!!! PRICES QUOTED ARE INCLUSIVE OF VAT AND EX JHB.
PRICES MAY VARY FROM DEALER TO DEALER. PRICES MAY CHANGE WITHOUT NOTICE.**

INDICATORS



Ref	Code	Manf P/N	Description	PRICE INCL
1	ML-10-007-6	322100-TK2A-0000	FRONT TURNING LIGHT ASSEMBLY	TBA
2	ML-10-007-7	322200-TK2A-0000	FRONT TURNING LIGHT ASSEMBLY	TBA
3	Part of item 1	322140-TK2A-0000	HOUSING	TBA
4	Part of item 2	322120-TK2A-0000	HOUSING	TBA
5		322110-TK2A-0000	BULB	TBA
6	Part of items 1 & 2	322131-TK2A-0000	LENS	TBA
7	ML-10-007-8	GB/T 845-1985	SCREW ST3.9x16	TBA
8	XL-1-599-3	GB/T 818-1985	BOLT M5x12	R 5.86

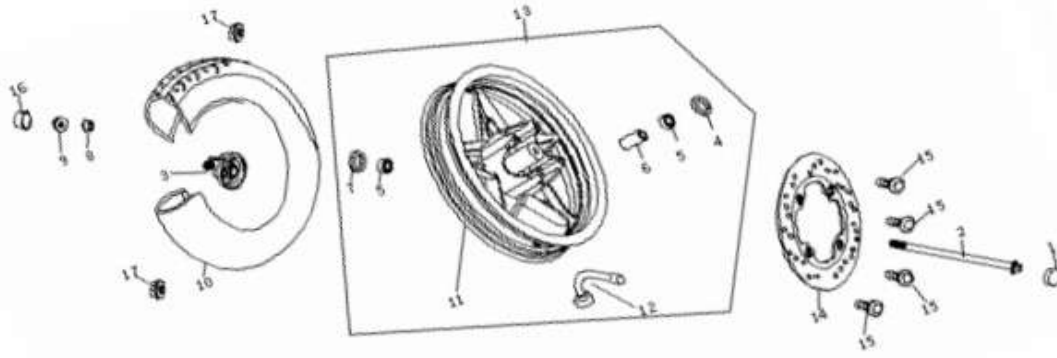
FRONT FORK



Ref	Code	Manf P/N	Description	PRICE INCL
1	ML-8-005-5		STEERING HEAD	R 386.75
2	XL-9-040-1	GB/T 5789-1986	BOLT M10 X 50	R 8.74
3	Local Purchase	GB/T 7244-1987	SPRING WASHER	TBA
4	ML-8-008-4	50450A-TK2A-0000	STOPPER	R 0.00
5	ML-8-008-5	504501-TK2A-0000	LOCK NUT	TBA
6	X5-8-011-1	504502-TK2A-0000	UPPER RACE	R 17.51
7	X5-8-011-2	504510-TK2A-0000	UPPER STEEL BALL ASSEMBLY	R 17.51
8	X5-8-015-1	504503-TK2A-0000	UPPER RACE	R 26.25
9	X5-8-012-2	504504-TK2A-0000	BOTTOM BEARING CUP	TBA
10	X5-8-011-5	504520-TK2A-0000	LOWER BEARING	R 40.14
11	X5-8-012-1	504505-TK2A-0000	LOWER RACE	R 26.25
12	X5-7-003-5	504400-TK2A-0000	FRONT RIGHT ABSORBER	R 244.43
13	X5-7-001-5	504300-TK2A-0000	FRONT LEFT ABSORBER	R 244.43
14	ML-9-004-BLK-15	604105-TK2A-0000	FRONT MUDGUARD	TBA
15	XL-9-017-1	604111-TK2A-0000	CABLE GUIDE RING	R 31.44
16	XL-1-050-4	330601-TK2A-0000	BOLT M6 X 16	R 5.27
17	ML-9-004-20	604103-TK2A-0000	RUBBER STRIP FRONT FENDER	TBA
18	XL-9-100-1	325100-TK2A-0000	REFLECTOR	R 8.74
19	ML-9-100-2	325103-TK2A-0000	REFLECTOR BACKING RUBBER	TBA
20	XR-1-652-7	GB/T 6177-1985	NUT M6	R 4.39

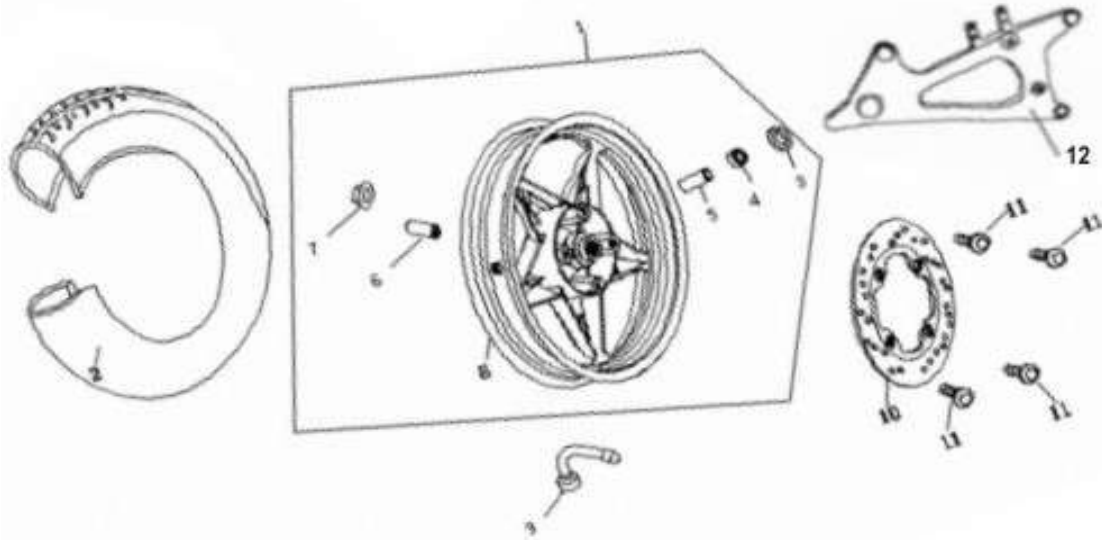
**IMPORTANT NOTICE !!!! PRICES QUOTED ARE INCLUSIVE OF VAT AND EX JHB.
PRICES MAY VARY FROM DEALER TO DEALER. PRICES MAY CHANGE WITHOUT NOTICE.**

FRONT WHEEL ASSY



Ref	Code	Manf P/N	Description	PRICE INCL
1	ML-6-042-5	401005-TK2A-0000	DUST COVER LH	TBA
2	ML-6-001-4	401003-TK2A-0000	FRONT AXLE BOLT	TBA
3	ML-6-080-5	401200-TK2A-0000	SPEEDO DRIVE HUB	TBA
4	ML-6-003-8	YF50*40*5	DUST SEAL	TBA
5	X5-6-003-6201	GB/T278	BEARING 6201	R 26.25
6	ML-6-003-6	401101-TK2A-0000	FRONT AXLE SPACER	TBA
7	ML-6-003-7	YF37*23*7	DUST SEAL	TBA
8	ML-6-002-5	401002-TK2A-0000	BRAKE DISK	R 174.56
9	XR-6-002-5	GB/T6187-1986	BRAKE DISK	R 174.56
10	ML-6-008-5	GB/2983-1997	TYRE 100/80-16	TBA
11	ML-6-003-5	401110-TK2A-0000	ALLOY WHEEL ASSEMBLY	TBA
12	X5-6-016-5	401120-TK2A-0000	VALVE ASSEMBLY (TUBELESS)	TBA
13	ML-6-003-5		ALLOY WHEEL ASSEMBLY	TBA
14	ML-6-002-5	404001-TK2A-0000	BRAKE DISK	R 174.56
15	ML-6-084-5	404002-TK2A-0000	BOLT	TBA
16	ML-6-042-4	401006-TK2A-0000	DUST COVER RH	TBA

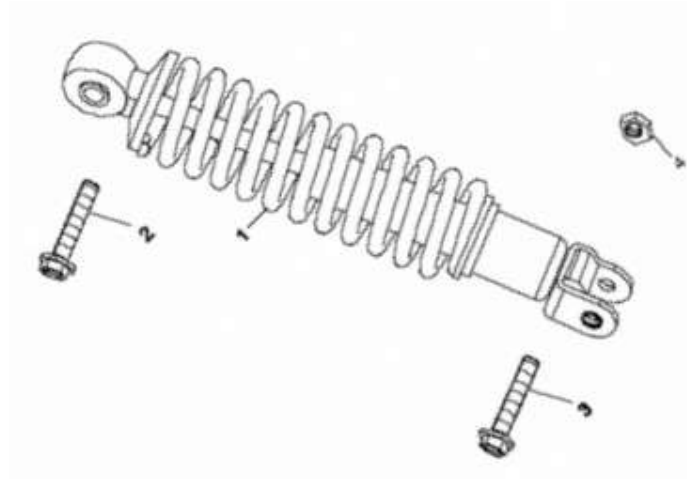
REAR WHEEL ASSY



Ref	Code	Manf P/N	Description	PRICE INCL
2	ML-6-010-5	GB2983-1997	TYRE 120/80-16	TBA
3	ML-6-009-8	YF50*40*5	DUST SEAL REAR WHEEL	R 6.57
4	X5-6-003-6201	GB/T278	BEARING 6201	R 26.25
5	ML-6-009-6	401101-TK2A-0000	CENTRAL BUSH	TBA
6	ML-6-015-5	402002-TAC-0000	BUSH	TBA
7	XR-6-002-5	GB/T6187-1986	BRAKE DISK	R 174.56
8	ML-6-009-5	402100-TK2A-0000	ALLOY WHEEL ASSEMBLY MT275*16	TBA
9	X5-6-016-5	402120-TK2A-0000	VALVE ASSEMBLY (TUBELESS)	TBA
10	ML-6-002-5	404001-TK2A-0000	BRAKE DISK	R 174.56
11	ML-6-084-5	404002-TK2A-0000	BOLT	TBA
12	ML-7-008-5	402200-TK2A-0000	REAR AXLE SUPPORT BRACKET	TBA

IMPORTANT NOTICE !!!! PRICES QUOTED ARE INCLUSIVE OF VAT AND EX JHB.
 PRICES MAY VARY FROM DEALER TO DEALER. PRICES MAY CHANGE WITHOUT NOTICE.

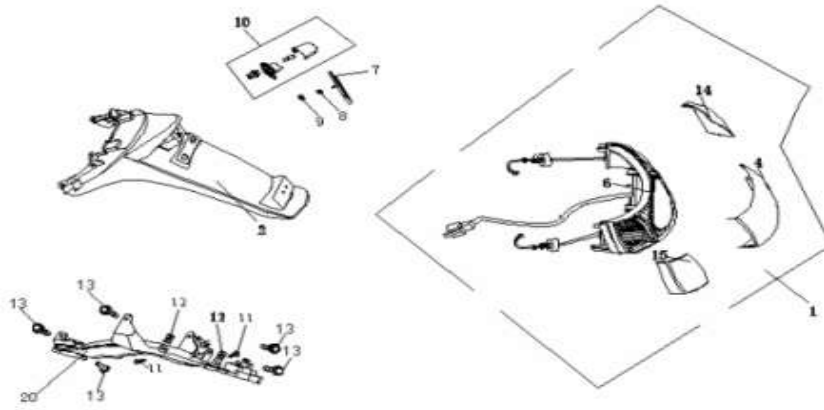
REAR SHOCK ABSORBER



Ref	Code	Manf P/N	Description	PRICE INCL
1	ML-7-004-1	521100-TK2A-0000	REAR SHOCK ABSORBER	TBA
2	XR-7-006-5	GB/T 5789-1986	BOLT M10x40	TBA
3	XL-3-001-5	GB/T 5789-1986	BOLT M8x35	R 16.76
4	XR-1-571-16	GB/T 6170-1986	NUT M8	R 4.39

**IMPORTANT NOTICE !!!! PRICES QUOTED ARE INCLUSIVE OF VAT AND EX JHB.
PRICES MAY VARY FROM DEALER TO DEALER. PRICES MAY CHANGE WITHOUT NOTICE.**

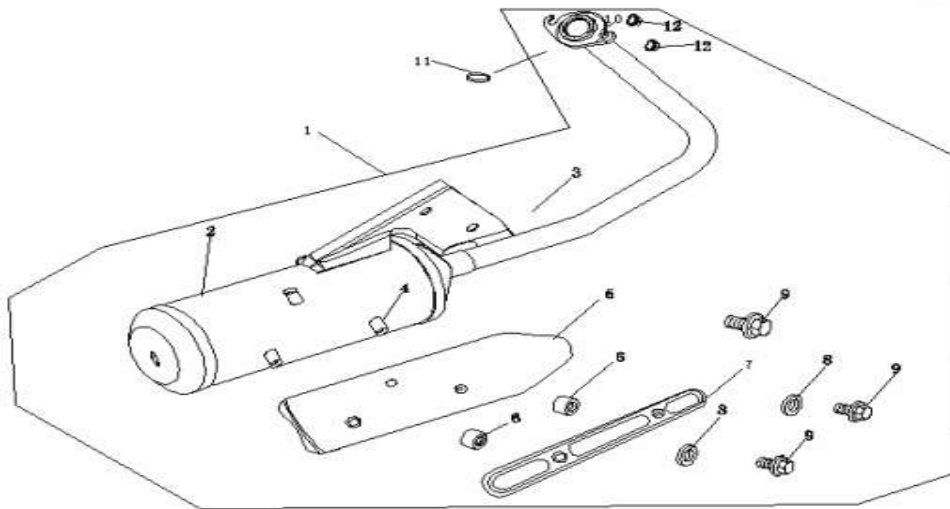
TAILLIGHT ASSY



Ref	Code	Manf P/N	Description	PRICE INCL
1	ML-10-020-1	321100-TK2A-0000	TAIL LAMP ASSEMBLY	TBA
2	ML-9-016-1	604210-TK2A-0000	REAR MUDGUARD	TBA
4	ML-10-020-3	321131-TK2A-0000	LENS TAIL LIGHT	TBA
6	ML-10-020-6	321120-TK2A-0000	TAIL LAMP HOUSING	TBA
7	ML-9-077-1	325200-TK2A-0000	REAR REFLECTOR	TBA
8	ML-9-077-2	GB/T 6177-1986	GASKET	TBA
9	RM-1-066-3	GB/T 41-1986	NUT M5	R 2.21
10	ML-10-020-100	321500-TK2A-0000	LICENSE LIGHT	TBA
11	XL-1-652-11	GB9074.6-88	BOLT M5×16	R 4.39
12	X5-9-020-9	821042-TK2A-0000	CLIP ST4.2	R 13.12
13	XR-1-609-36	GB/T 5789-1986	BOLT M6×12	R 0.00
14	ML-10-020-4	323231-TK2A-0000	LENS TURNING LIGHT	TBA
15	ML-10-020-5	323131-TK2A-0000	LENS TURNING LIGHT	TBA
20	ML-9-016-2	604212-TK2A-0000	BRACKET	TBA

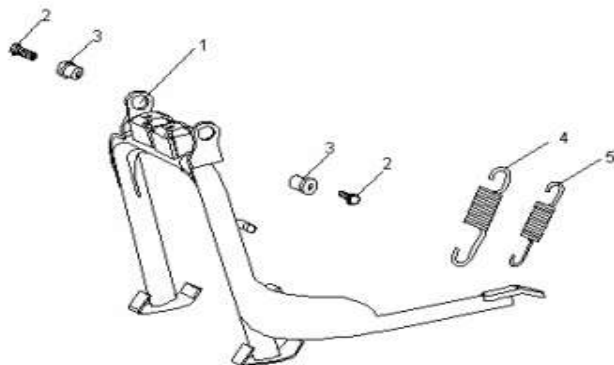
IMPORTANT NOTICE !!!! PRICES QUOTED ARE INCLUSIVE OF VAT AND EX JHB.
 PRICES MAY VARY FROM DEALER TO DEALER. PRICES MAY CHANGE WITHOUT NOTICE.

EXHAUST



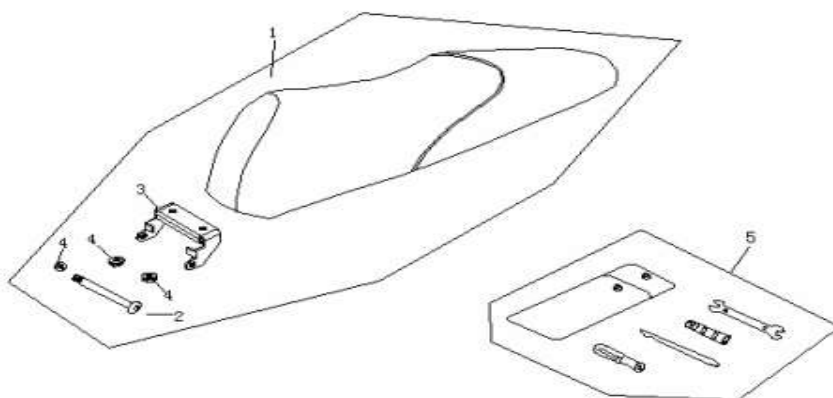
Ref	Code	Manf P/N	Description	PRICE INCL
1	ML-3-001-15	182000-TK2A-0000	EXHAUST ASSEMBLY	TBA
5	ML-3-001-3	182104-TK2A-0000	ASBESTIC WASHER	TBA
6	ML-3-001-16	182103-TK2A-0000	HEATSHIELD	R 26.25
7	ML-3-001-1	182105-TK2A-0000	HEATSHIELD	R 26.25
8	Local Purchase	GB859-8716	SPRING WASHER	TBA
9	XR-1-032-11	GB/T 5789-1986	BOLT M6×25	R 12.57
11	ML-3-002-1	182010-TK2A-0000	EXHAUST GASKET	TBA
12	ML-3-003-1	GB/T 923-1986	EXHAUST ATTACHMENT NUT	R 4.35

STANDS



Ref	Code	Manf P/N	Description	PRICE INCL
1	ML-9-088-1	501210-TK2A-0000	MAIN STAND ASSEMBLY	TBA
2	ML-2-002-1	501201-TB9-0000	BOLT MAIN STAND	TBA
3	ML-9-089-6	501202-TB9-0000	BUSH MAIN STAND	TBA
4	ML-9-087-5	501221-TB9-0000	SPRING	TBA
5	ML-9-087-6	501222-TB9-0000	SPRING	TBA
6	ML-9-091-5	501301-TK2A-0000	BOLT SIDE STAND	TBA
7	ML-9-093-5	501310-TK2A-0000	SIDE STAND	TBA
8	ML-9-092-5	501302-TK2A-0000	SIDE STAND SPRING	TBA
9	ML-9-092-6	501303-TK2A-0000	SIDE STAND SPRING	TBA
10	RM-6-028-2	GB/T 6170-00	NUT M8 X 1.25	R 4.43

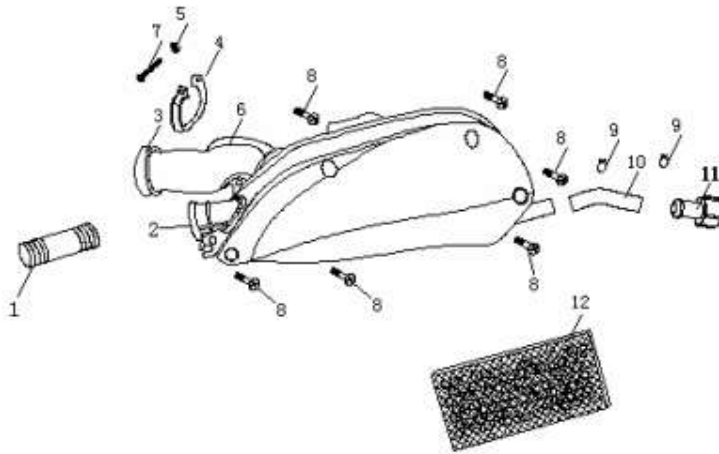
SEAT ASSY



Ref	Code	Manf P/N	Description	PRICE INCL
1	ML-9-010-5	701000-TK2A-0000	SEAT ASSEMBLY	TBA
2	ML-9-064-5	701001-TK2A-0000	BOLT	TBA
3	ML-9-064-15	701002-TK2A-0000	CONNECTING BOARD	TBA
4	XR-1-652-7	GB/T 6177-1986	NUT M6	R 4.39
5	BA/ML/TOOLK	80100-TK2A-0000	TOOL KIT	TBA

IMPORTANT NOTICE !!!! PRICES QUOTED ARE INCLUSIVE OF VAT AND EX JHB.
 PRICES MAY VARY FROM DEALER TO DEALER. PRICES MAY CHANGE WITHOUT NOTICE.

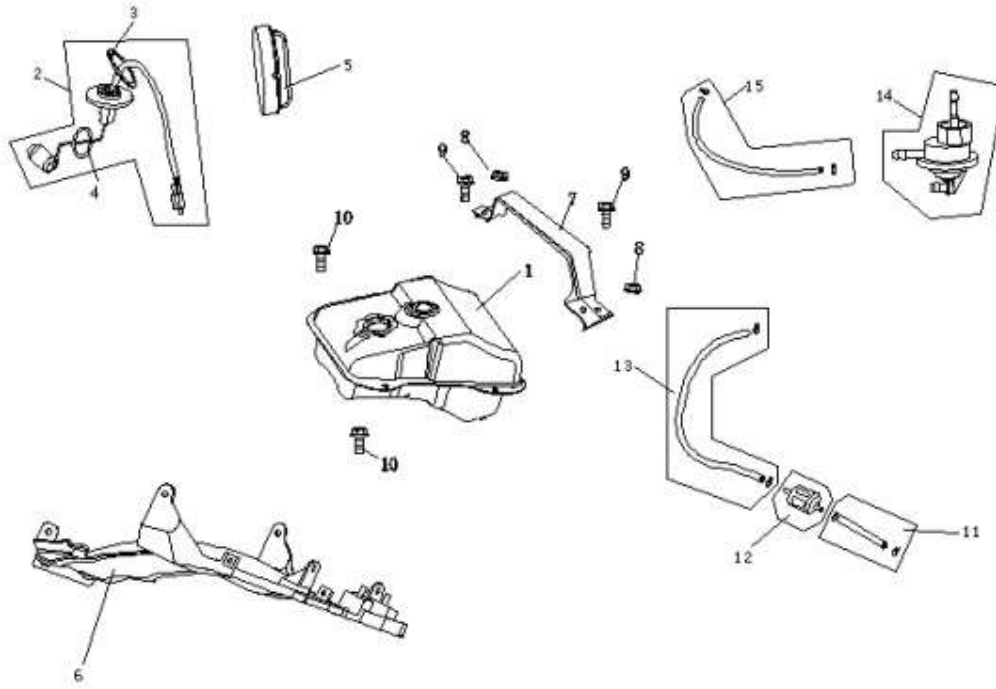
AIR CLEANER



Ref	Code	Manf P/N	Description	PRICE INCL
1	Part of Item 2	172200-TK2A-0000	TUBE	TBA
2	ML-1-001-1	172201-TK2A-0000	AIRFILTER ASSEMBLY	TBA
3	Part of Item 2	000000-TK2A-0000	TUBE	TBA
4	ML-1-052-15	172210-TK2A-0000	CARBURETTOR ATTACH CLAMP	TBA
5	Part of Item 4	GB6170-86	NUT M6	TBA
6	Part of Item 2	172130-TK2A-0000	TUBE	TBA
7	Part of Item 4	GB818-86	BOLT	TBA
8	XR-9-020-6	GB818-86	BOLT M5*20	R 4.39
9	Local Purchase	QC/T 621-199914*1.2	CLIP	TBA
10	Local Purchase	172001-TK2A-0000	TUBE	TBA
11	ML-1-001-16	172406-TK2A-0000	FILL TUBE	TBA
12	ML-1-001-9	172120-TK2A-0000	FILTER ELEMENT	TBA

**IMPORTANT NOTICE !!!! PRICES QUOTED ARE INCLUSIVE OF VAT AND EX JHB.
PRICES MAY VARY FROM DEALER TO DEALER. PRICES MAY CHANGE WITHOUT NOTICE.**

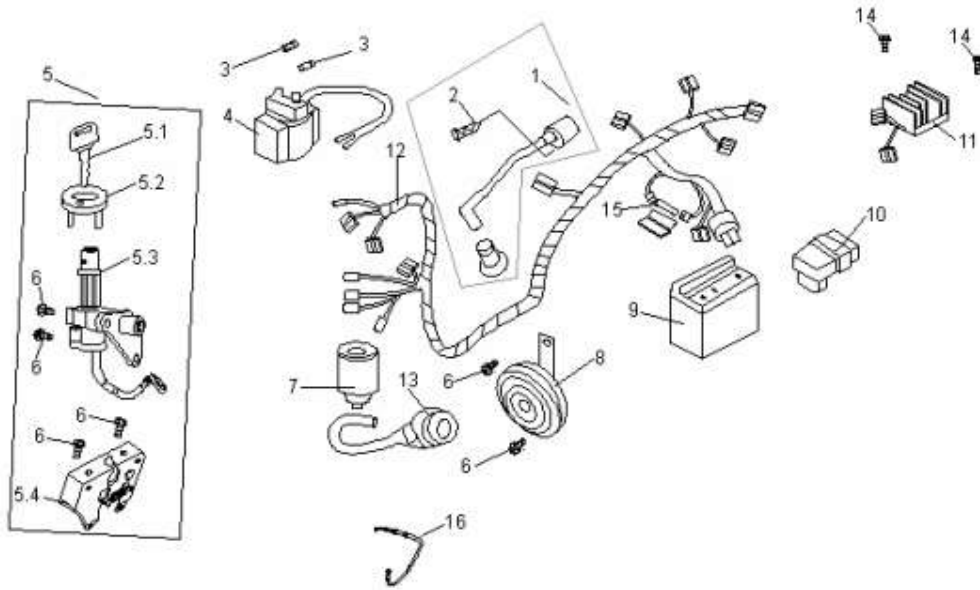
FUEL SYSTEM



Ref	Code	Mant P/N	Description	PRICE INCL
1	ML-4-004-5	515010-TK2A-0000	FUEL TANK ASSEMBLY	TBA
2	ML-4-002-5	515200-TK2A-0000	FUEL TANK SENDER	TBA
3	ML-4-003-2	515202-TK2A-0000	SENDER COVER	TBA
4	ML-4-003-1	515201-TK2A-0000	RUBBER RING	TBA
5	ML-4-001-1	350300-TK2A-0000	FUEL TANK CAP	TBA
6	ML-9-016-2	604212-TK2A-0000	BRACKET	TBA
7	ML-4-004-6	501050-TK2A-0000	BRACKET	TBA
8	XR-1-652-7	GB/T 5789-1986	NUT M6	R 4.39
9	X5-9-016-3	GB/T 5789-1986	BOLT 8x16	R 10.50
10	XR-1-609-36	GB/T 5789-1986	BOLT M6x12	R 0.00
11	Local Purchase	515130-TK2A-0000	TUBE	TBA
12	Local Purchase	515120-TK2A-0000	FUEL FILTER	TBA
13	Local Purchase	515140-TK2A-0000	TUBE	TBA
14	ML-4-203-5	515110-TK2A-0000	VACUUM FUEL VALVE	TBA
15	Local Purchase	515150-TK2A-0000	TUBE	TBA

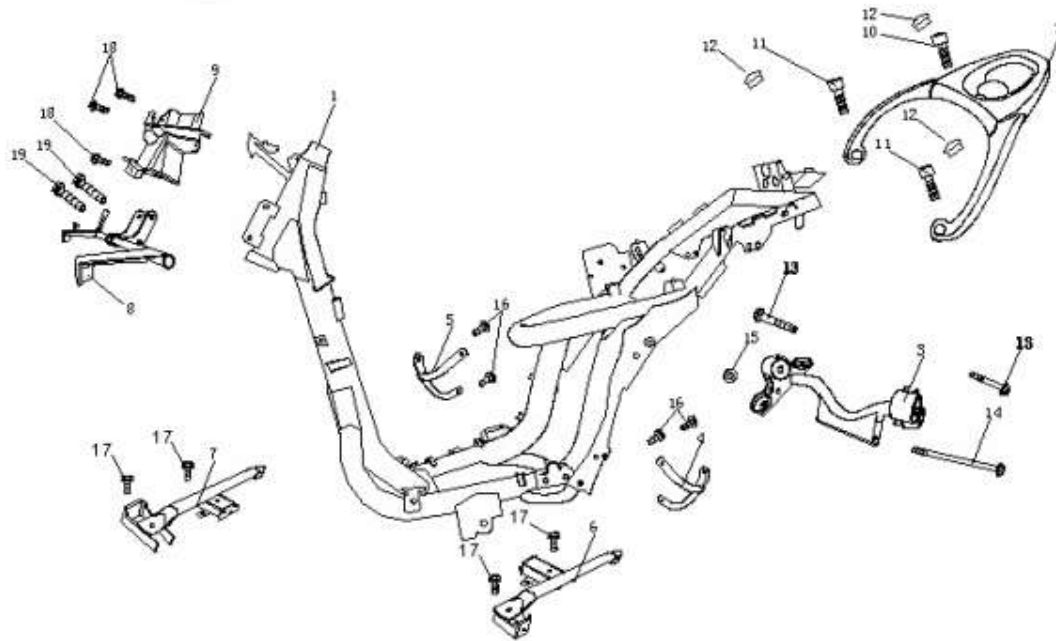
**IMPORTANT NOTICE !!!! PRICES QUOTED ARE INCLUSIVE OF VAT AND EX JHB.
PRICES MAY VARY FROM DEALER TO DEALER. PRICES MAY CHANGE WITHOUT NOTICE.**

ELECTRICAL SYSTEM



Ref	Code	Manf P/N	Description	PRICE INCL
1	ML-10-023-1	301200-TB9-0000	IGNITION COIL	TBA
2	XL-1-652-11	GB/T 818-1985	BOLT M5×16	R 4.39
3	XR-1-652-7	GB/T 6177-1986	NUT M6	R 4.39
4	ML-10-019-1	301400-TB9-0000	START RELAY	TBA
5	ML-9-099-1	350000-TAC-0000	IGNITION SWITCH & LOCK BARREL	TBA
6	XL-1-050-4	GB/T 5789-1986	BOLT M6 X 16	R 5.27
7	ML-10-011-1	308500-TB9-0000	INDICATOR FLASHER UNIT	TBA
8	ML-10-009-1	302000-TB9-0000	HOOTER	TBA
9	ML-10-001-110	305000-TA7-0000	BATTERY	TBA
10	ML-10-004-1	301100-TB9-0000	CDI UNIT	TBA
11	ML-10-022-1	301300-TB9-0000	VOLTAGE REGULATOR - RECTIFIER	TBA
12	ML-10-010-1	304100-TACD-0000	MAIN HARNESS	TBA
13	ML-9-099-1	330600-TB9-0000	IGNITION SWITCH & LOCK BARREL	TBA
14	XR-1-609-36	GB/T5789-1986	BOLT M6×12	R 0.00
15	XR-10-010-15	304110-TAC-0000	FUSE	TBA
5.4	ML-9-019-1	350400-TAC-0000	LOCK MECHANISM SADDLE	TBA
16	ML-9-019-2	540900-TAC-0000	CABLE SEAT LOCK	TBA

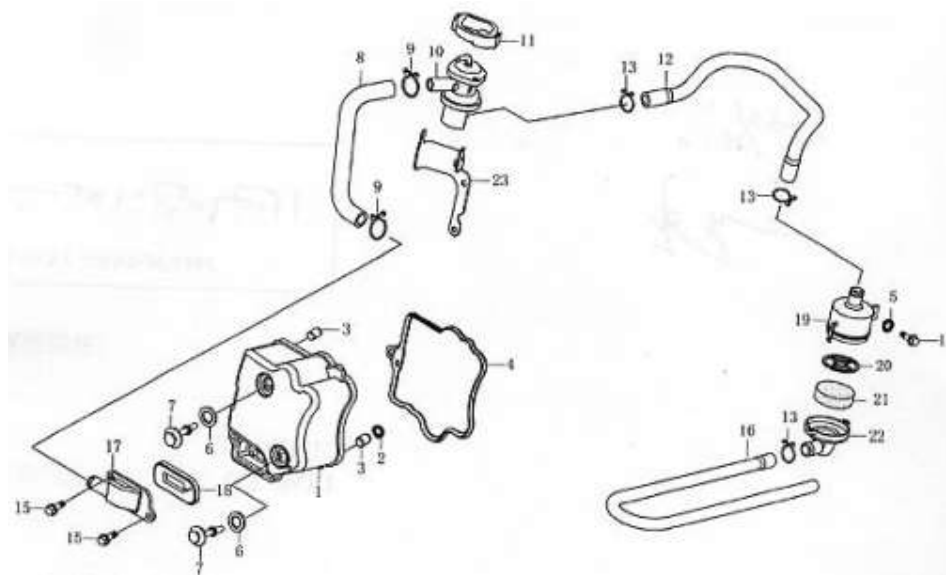
FRAME



Ref	Code	Manf P/N	Description	PRICE INCL
1	NOT AVAILABLE	501100-TK2A-0000	FRAME	TBA
2	ML-9-011-15	506310-TK2A-0000	REAR FRAME ASSEMBLY	TBA
3	ML-1-525-1	501710-TK2A-0000	ENGINE HANGING BRACKET	TBA
4	ML-1-525-5	501510-TK2A-0000	FOOTREST SUPPORT LEFT	TBA
5	ML-1-525-6	501520-TK2A-0000	FOOTREST SUPPORT RIGHT	TBA
6	ML-1-525-7	5010H0-TK2A-0000	PEDAL BRACKET L	TBA
7	ML-1-525-8	5010J0-TK2A-0000	PEDAL BRACKET R	TBA
8	ML-11-150-1	5010A0-TK2A-0000	BRACKET ASSEMBLY	TBA
9	ML-11-150-2	310401-TK2A-0000	COVER	TBA
10	XR-3-001-7	GB/T 70-1985	BOLT M8x50	TBA
11	ML-5-107-11	GB/T 70-1985	BOLT M8*30	R 7.03
12	ML-9-011-16	506301-TK2A-0000	REAR FRAME ASSEMBLY CAP	TBA
13	XR-1-525-2	GB/T 5787-1986	BOLT M10x125x55	R 11.64
14	XR-9-030-1	501704-TK2A-0000	SHAFT, ENGINE	TBA
15	XL-2-002-1	GB/T 6177-1986	NUT M10 X 1.25	R 4.39
16	X5-9-016-3	GB/T 70-1985	BOLT 8x16	R 10.50
17	XL-1-050-4	GB/T 70-1985	BOLT M6 X 16	R 5.27
18	XR-1-609-36	GB/T 70-1985	BOLT M6x12	R 0.00
19	XR-1-007-13	GB/T 70-1985	BOLT M6 X 50	R 5.27

IMPORTANT NOTICE !!!! PRICES QUOTED ARE INCLUSIVE OF VAT AND EX JHB.
 PRICES MAY VARY FROM DEALER TO DEALER. PRICES MAY CHANGE WITHOUT NOTICE.

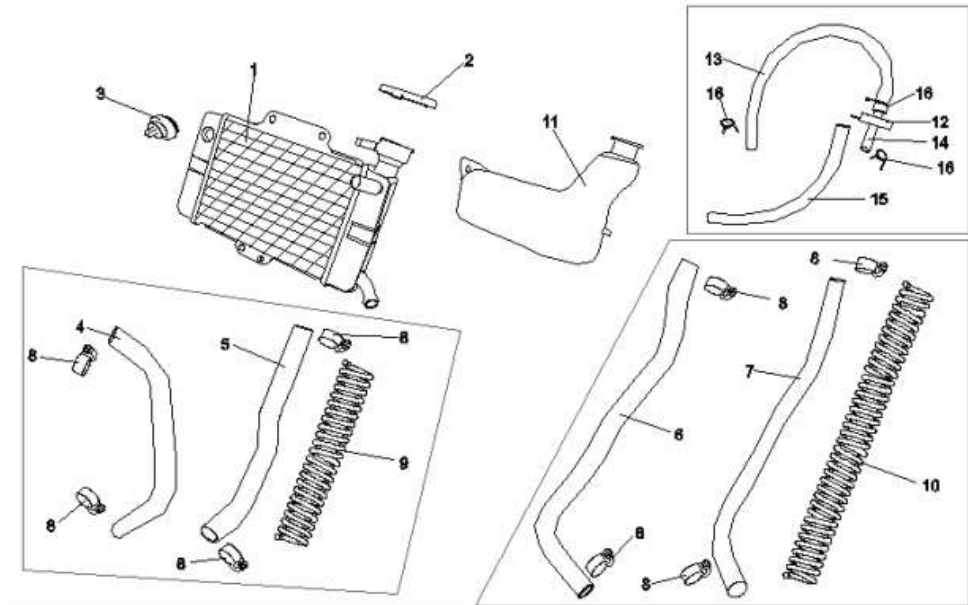
BREATHER SYSTEM



Ref	Code	Manf P/N	Description	PRICE INCL
1	ML-1-020-15	1P52MI-A-001006	ROCKER COVER	TBA
2	ML-1-573-16	1P52MI-A-021021	SEAL	TBA
3	ML-1-524-14	1525MI-080008	DOWEL PIN Ø8X14	TBA
4	ML-1-573-15	1P52MI-A-021011	GASKET CYLINDER HEAD UPPER COVER	TBA
5	ML-1-573-16	GB845-85	SEAL	TBA
6	ML-1-572-15	1P39MB-021200	GASKET 22×12	TBA
7	ML-1-571-15	1P52MI-A-021022	BOLT	TBA
8	ML-1-007-50	1P52MI-A-140002	BREATHER TUBE	TBA
9	ML-4-009-5	QC/T621-1999	CLIP	TBA
10	ML-1-797-50	1P52MI-A-141000	VALVE	TBA
11	ML-1-797-51	1P39MB-140001	CONTROL VALVE BUSH	TBA
12	ML-1-797-52	1P52MI-A-140005	CONTROL VALVE TUBE	TBA
13	ML-4-009-5	QC/T621-1999	CLIP	TBA
14	XR-1-609-36	152MI-021019	BOLT M6×12	R 0.00
15	ML-1-609-38	GB5787-1986	BOLT M6X14	R 5.27
16	ML-1-020-16	1P52MI-A-140006	SMALL FILTERBODY	TBA
17	ML-1-020-17	1P52MI-A-140003	COVER	TBA
18	ML-1-020-18	1P52MI-A-143000	SPRING	TBA
19	ML-1-001-50	1P52MI-A-142001	SECONDARY FILTER ASSEMBLY	TBA
20	ML-1-001-53	1P52MI-A-142002	BAFFLE	TBA
21	ML-1-001-51	1P52MI-A-142003	SPONGE	TBA
22	ML-1-001-54	1P52MI-A-142004	SMALL FILTER COVER	TBA
23	ML-1-001-52	1P52MI-A-022023	BRACKET	TBA

**IMPORTANT NOTICE !!!! PRICES QUOTED ARE INCLUSIVE OF VAT AND EX JHB.
PRICES MAY VARY FROM DEALER TO DEALER. PRICES MAY CHANGE WITHOUT NOTICE.**

COOLING SYSTEM



Ref	Code	Manf P/N	Description	PRICE INCL
1	ML-1-515-1	310410-TK2A-0000	RADIATOR	TBA
2	ML-1-524-1	310420-TK2A-0000	WATER PUMP ASSEMBLY	TBA
3	ML-1-511-1	310100-TK2A-0000	THERMOSTAT	TBA
4	ML-1-519-20	310301-TK2A-0000	RADIATOR HOSE OUTLET	TBA
5	ML-1-519-21	310302-TK2A-0000	RADIATOR HOSE	TBA
6	ML-1-519-22	310303-TK2A-0000	RADIATOR HOSE	TBA
7	ML-1-519-23	310304-TK2A-0000	RADIATOR HOSE	TBA
8	Local Purchase		CLAMP	TBA
9	ML-1-529-21		SPRING COIL	TBA
10	ML-1-529-23		SPRING COIL	TBA
11	ML-1-516-1	310451-TK2A-0000	HEADER TANK	TBA
12	ML-1-530-1	310432-TK2A-0000	HEADER TANK CAP	TBA
13	Local Purchase	310453-TK2A-0000	TUBE	TBA
14	ML-1-530-2	310404-TK2A-0000	STACK PIPE	TBA