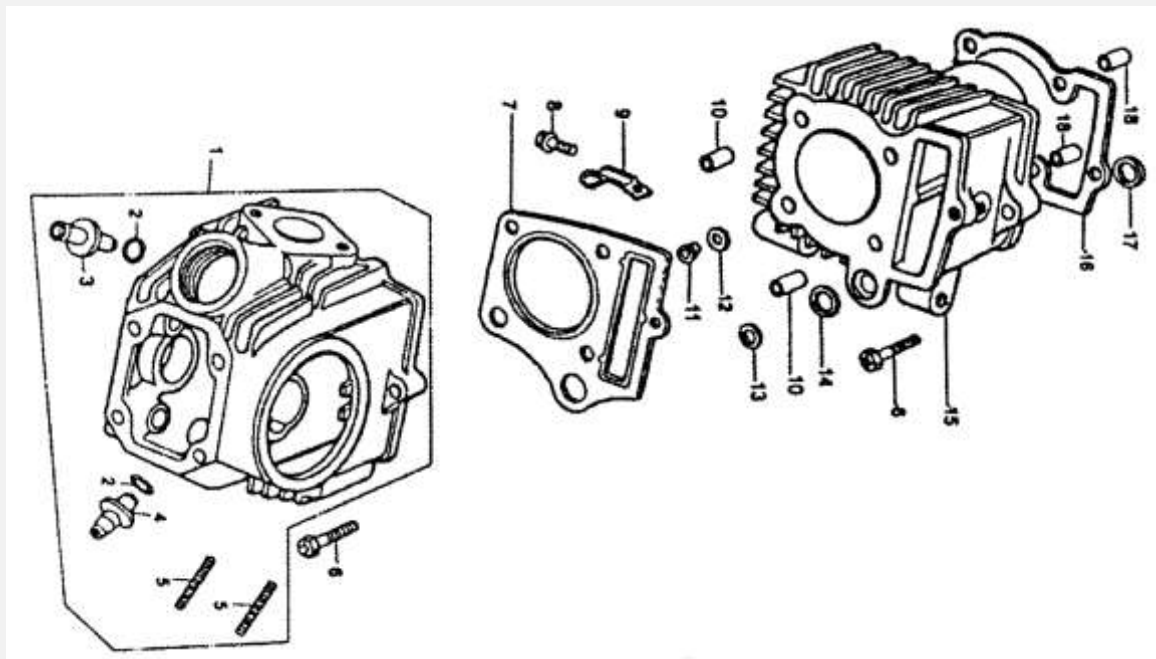


**IMPORTANT NOTICE !!!! PRICES QUOTED ARE INCLUSIVE OF VAT AND EX JHB.
PRICES MAY VARY FROM DEALER TO DEALER. PRICES MAY CHANGE WITHOUT NOTICE.**

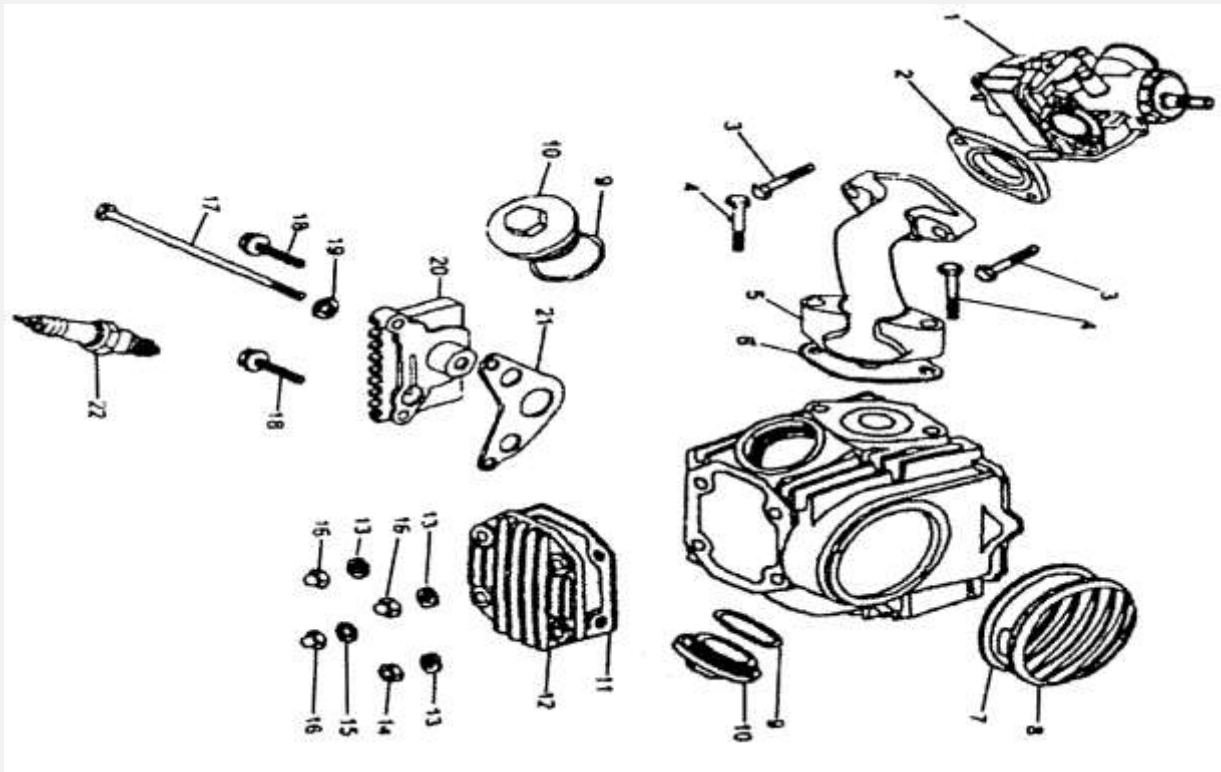
CYLINDER HEAD, CYLINDER



Ref	Part Code	Manf P/N	Description	Q'ty	Price Incl
1	EL-1-047-90	FH-111000-0	CYLINDER HEAD ASSEMBLY (90cc)	1	R 418.84
2	EL-1-047-19	FH-113401-0	O-RING 9 X 16	1	R 4.35
3	EL-1-047-14	FH-111202-0	INLET VALVE GUIDE	1	R 69.87
4	EL-1-047-15	FH-111201-0	EXHAUST VALVE GUIDE	1	R 69.87
5	XL-1-049-1	FH-111001-0	STUD M6 X 32	1	R 8.74
6	XL-1-582-2	GB29-2-88	BOLT M6 X 23	1	R 5.27
7	EL-1-048-90	FH-170000-0	GASKET CYLINDER HEAD (90cc)	1	R 39.42
8	XS-1-030-5	GB5787-86	BOLT M6x20	1	R 137.64
9	EL-1-037-5	FH-100403-0	CLIP	1	R 13.12
10	XL-1-580-3	FH-100702-0	DOWEL PIN 10X14	1	R 13.12
11	EL-1-580-6	FH-100701-0	BUSHING	1	R 4.35
12	EL-1-048-4	FH-100607-0	RING	1	R 8.74
13	EL-1-580-5	FH-100401-0	OIL PIN	1	R 13.12
14	EL-1-048-3	FH-100604-0	RECTANGLE SEAL	1	R 8.74
15	EL-1-038-90	FH-100201-0	PISTON BARREL (CYLINDER 90cc)	1	R 279.34
16	EL-1-039-90	FH-100601-0	CYLINDER BASE GASKET 90cc	1	R 26.25
17	EL-1-039-3	FH-100605-0	RECTANGLE SEAL RING 115 X 16 X 25	1	R 8.74
18	XL-1-580-3	FH-100702-0	DOWEL PIN 10X14	1	R 13.12

**IMPORTANT NOTICE !!!! PRICES QUOTED ARE INCLUSIVE OF VAT AND EX JHB.
PRICES MAY VARY FROM DEALER TO DEALER. PRICES MAY CHANGE WITHOUT NOTICE.**

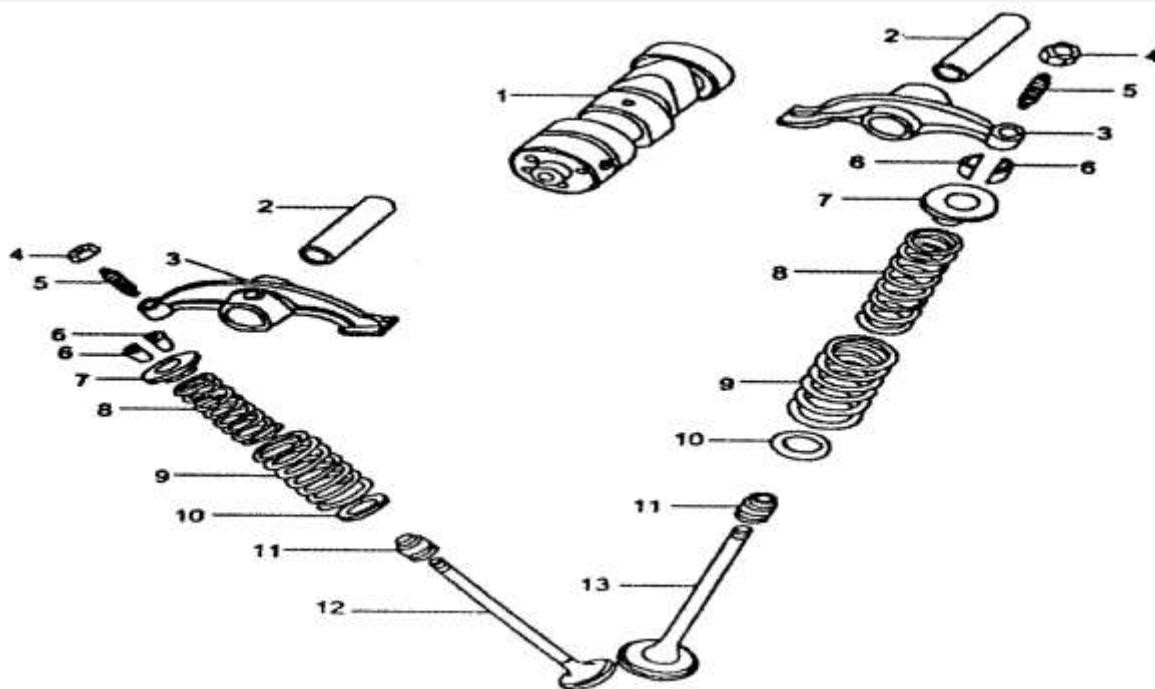
CYLINDER HEAD, AIR INLET PIPE, CARBURETOR



Ref	Part Code	Manf P/N	Description	Q'ty	Price Incl
1	EL-1-002-1	PZI6	CARBURETOR ASSEMBLY	0	R 401.48
2	XL-1-031-1	FH-100603-0	GASKET	1	R 26.25
3	XL-1-052-1	GB5783-86	BOLT M6 X 22	1	R 5.27
4	XL-1-053-1	GB5783-86	BOLT M6x28	1	R 4.89
5	EL-1-014-1	FH-100204-0	INLET MANIFOLD	1	R 52.35
6	XL-1-051-1	FH-100606-0	INLET MANIFOLD GASKET	1	R 5.27
7	XL-1-047-6	FH-100602-0	CYLINDER HEAD COVER GASKET	1	R 26.25
8	XL-1-047-3	FH-100202-A	CYLINDER HEAD COVER	1	R 52.35
9	XL-1-020-2	FH-110601-0	O-RING 315 X 355	1	R 4.39
10	XL-1-020-5	FH-110201-0	ROCKER COVER	1	R 69.87
11	XL-1-573-1	FH-100601-0	GASKET CYLINDER HEAD UPPER COVER	1	R 26.25
12	XL-1-020-1	FH-100203-A	UPPER COVER CYLINDER HEAD	1	R 35.00
13	XL-1-572-2	ZF50-01-4	WASHER	1	R 4.39
14	XL-1-571-2	GB923-88	TECTIFORM NUT M7	1	R 4.39
15	XL-1-572-3	FH-100402-0	WASHER 6	1	R 4.39
16	XL-1-571-2	GB923-88	TECTIFORM NUT M7	1	R 4.39
17	XR-1-037-17	GB5787-86	BOLT M6x110	1	R 12.57
18	XL-1-047-13	GB5787-86	BOLT M6 X 20	1	R 5.27
19	XL-1-047-10	FH-100403-0	WASHER 6	1	R 4.39
20	XL-1-047-2	FH-114201-0	CYLINDER HEAD COVER	1	R 52.35
21	XL-1-047-5	FH-110602-0	CYLINDER HEAD COVER GASKET	1	R 26.25
22	CC-1-017-1	HRTCII37	SPARK PLUG NGK C7HSA	1	R 44.13

**IMPORTANT NOTICE !!!! PRICES QUOTED ARE INCLUSIVE OF VAT AND EX JHB.
PRICES MAY VARY FROM DEALER TO DEALER. PRICES MAY CHANGE WITHOUT NOTICE.**

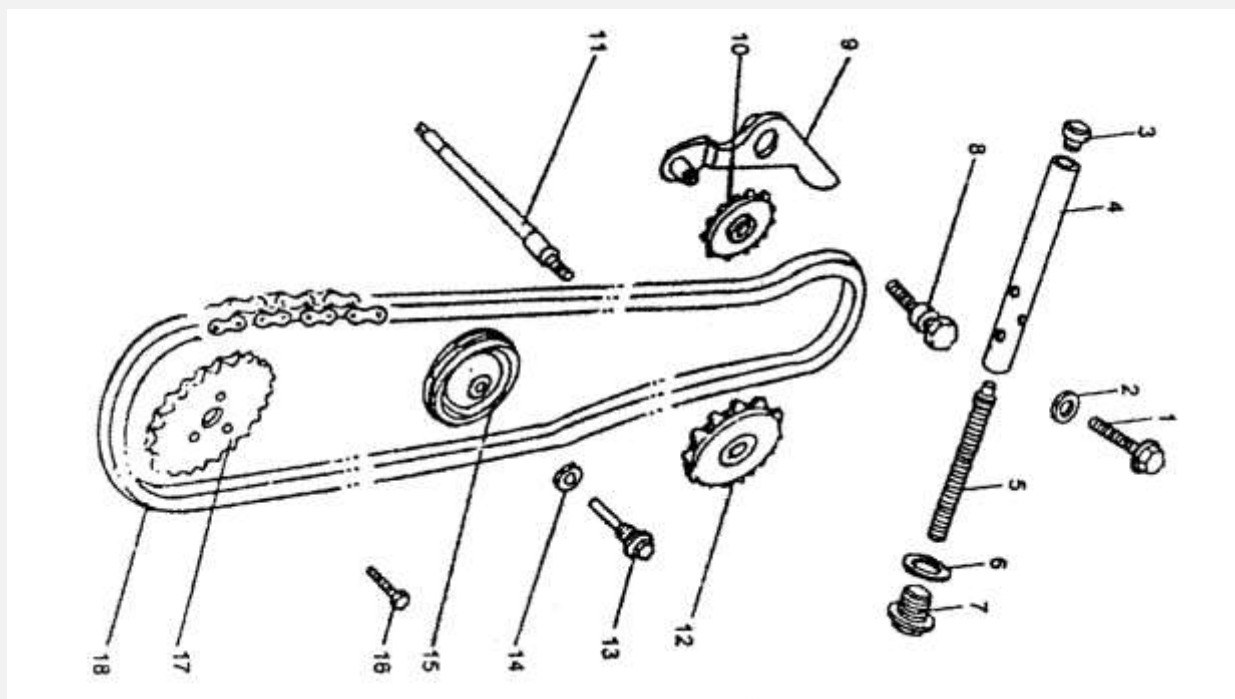
CAM SPINDLE, VALVE



Ref	Part Code	Manf P/N	Description	Q'ty	Price Incl
1	XL-1-599-2	FH-112000-0	CAMSHAFT	1	R 130.96
2	XL-1-600-2	FH-110703-0	ROCKER VALVE SHAFT	1	R 21.86
3	XL-1-598-2	FH-110305-0	ASSEMBLY VALVE ROCKER ARM	1	R 43.78
4	XL-1-596-2	FH-110001-0	ADJUSTING NUT VALVE	1	R 9.11
5	XL-1-597-2	FH-110304-0	ADJUSTING SCREW VALVE	1	R 13.12
6	XL-1-585-2	FH-110302-0	VALVE COTTER	1	R 8.74
7	XL-1-586-22	FH-110302-0	SPRING SEAT VALVE	1	R 13.12
8	XL-1-587-2	FH-110701-0	INNER SPRING	1	R 13.12
9	XL-1-588-2	FH-110702-0	OUTER SPRING	1	R 13.12
10	XR-1-589-15	FH-110401-0	VALVE SEAT	1	R 20.95
11	XL-1-590-2	FH-113000-0	OIL SEAL	1	R 17.51
12	XL-1-605-2	FH-110306-0	EXHAUST VALVE	1	R 30.48
13	XL-1-591-2	FH-110301-0	INLET VALVE	1	R 30.48

**IMPORTANT NOTICE !!!! PRICES QUOTED ARE INCLUSIVE OF VAT AND EX JHB.
PRICES MAY VARY FROM DEALER TO DEALER. PRICES MAY CHANGE WITHOUT NOTICE.**

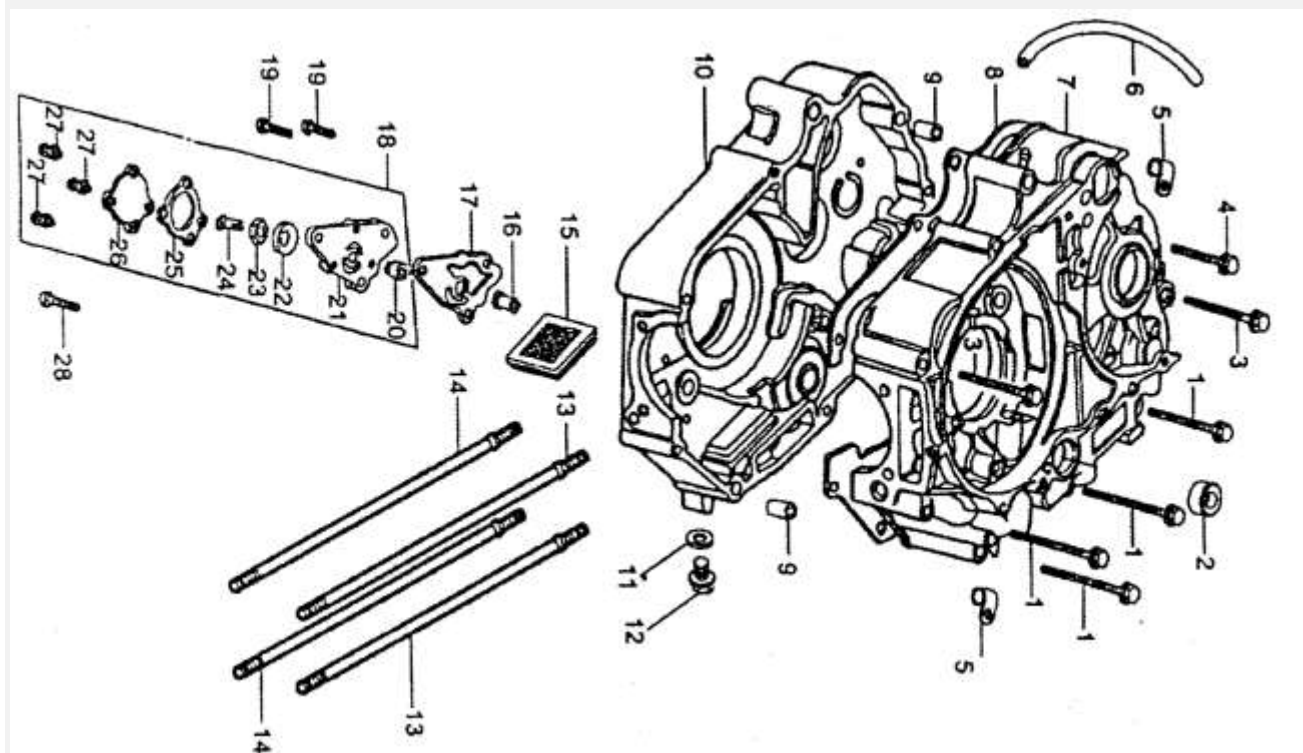
CHAIN TENSIONER



Ref	Part Code	Manf P/N	Description	Q'ty	Price Incl
1	XL-1-609-9	GB5787-86	BOLT M6×18	1	R 5.27
2	XL-1-047-10	FH-100002-0	WASHER 6	1	R 4.39
3	XL-1-609-4	FH-130601-0	TENSION LEVER HEAD	1	R 17.51
4	XL-1-609-3	FH-130701-0	CHAIN TENSION LEVER	1	R 17.51
5	XL-1-609-2	FH-100703-0	CHAIN TENSION LEVER	1	R 17.51
6	XL-1-609-7	FH-300401-0	WASHER 14	1	R 4.39
7	XL-1-609-6	FH-300004-0	SHAFT GUIDE ROLLER	1	R 17.51
8	XL-1-607-4	FH-100002-0	SHAFT CHAIN TENSION	1	R 17.51
9	XL-1-601-2	FH-140000-0	TENSION ARM ASSEMBLY	1	R 21.86
10	XL-1-607-3	FH-150000-0	TENSION ROLLER CHAIN	1	R 17.51
11	XL-1-652-3	FH-600001-0	SPROCKET SHAFT OIL PUMP	1	R 26.25
12	XL-1-652-2	FH-630000-0	DRIVEN SPROCKET OIL PUMP	1	R 26.25
13	XL-1-609-6	FH-100001-0	SHAFT GUIDE ROLLER	1	R 17.51
14	XL-1-652-4	FH-100402-0	WASHER 8	1	R 4.39
15	XL-1-609-5	FH-120000-0	GUIDE ROLLER ASSEMBLY	1	R 17.51
16	XL-1-599-3	GB5783-86	BOLT M5×12	1	R 5.86
17	XL-1-599-4	FH-100410-0	TIMING DRIVEN SPROCKET	1	R 52.35
18	XL-1-608-2	FH-160000-0	TIMING CHAIN	1	R 69.87

**IMPORTANT NOTICE !!!! PRICES QUOTED ARE INCLUSIVE OF VAT AND EX JHB.
PRICES MAY VARY FROM DEALER TO DEALER. PRICES MAY CHANGE WITHOUT NOTICE.**

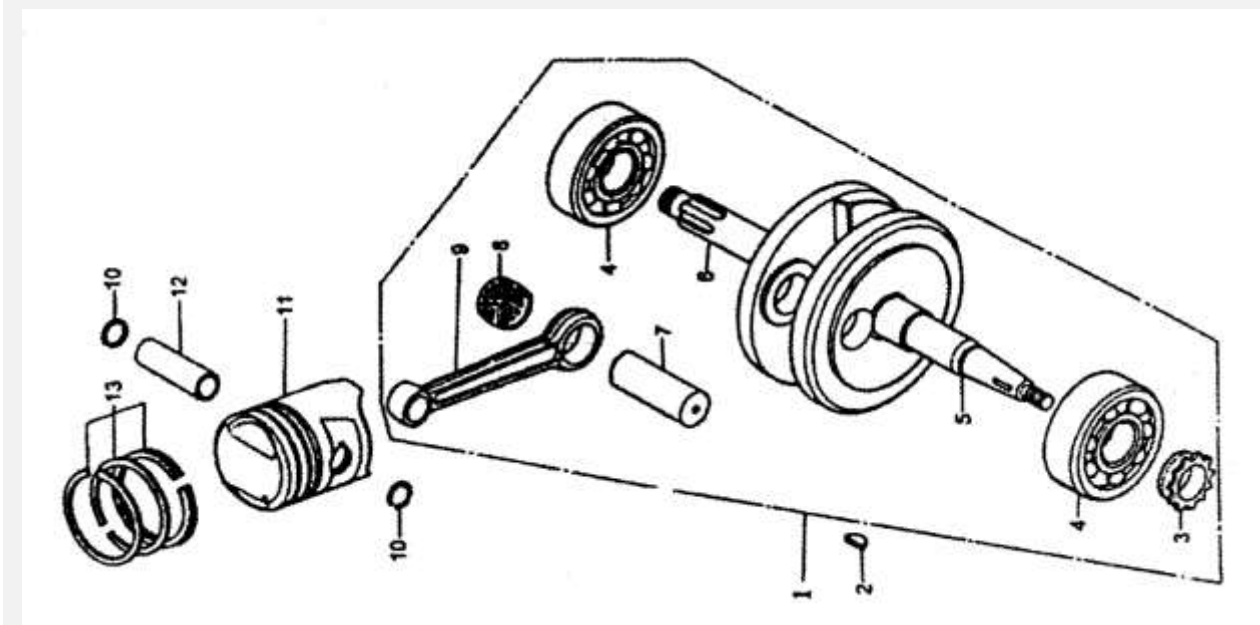
CRANKCASE



Ref	Part Code	Manf P/N	Description	Q'ty	Price Incl
1	EL-1-007-25	GB5787-86	BOLT M6×60	1	R 5.27
2	XL-1-010-12	FH-350000-0	OIL SEAL	1	R 17.51
3	XR-1-007-13	GB5787-86	BOLT M6 X 50	1	R 5.27
4	EL-1-007-26	GB5787-86	BOLT M6×55	1	R 5.27
5	XS-1-026-7	FH-310401-0	CLIP	1	R 19.69
6	XL-1-007-50	ZF80-01-114	BREATHER TUBE	1	R 13.12
7	XL-1-007-20	FH-310000-0	LEFT CRANKCASE CASING	1	R 174.56
8	XL-1-668-1	FH-310601-0	GASKET CRANKCASE	1	R 26.25
9	XL-1-007-12	FH-300701-0	DOWEL PIN 10 X 14	1	R 13.12
10	XL-1-007-10	FH-320000-0	RIGHT CRANKCASE CASING	1	R 122.21
11	XL-1-622-1	FH-300401-0	WASHER 12	1	R 4.39
12	XL-1-623-1	FH-300001-0	OIL DRAIN PLUG M12×1.5	1	R 20.95
13	XL-1-663-1	FH-300002-0	CYLINDER STUD A	1	R 26.25
14	XL-1-662-1	FH-300003-0	CYLINDER STUD B	1	R 26.25
15	XL-1-652-8	FH-620000-0	OIL FILTER ASSEMBLY	1	R 35.00
16	XL-1-652-7	FH-600002-0	SPROCKET SHAFT SLEEVE	1	R 35.00
17	XL-1-661-2	FH-600601-0	GASKET OIL PUMP	1	R 26.25
18	XL-1-661-1	FH-610000-0	OIL PUMP	1	R 104.69
19	XL-1-652-11	GB823-88	BOLT M5×16	1	R 4.39
20	Part of item 18	FH-610001-0	AXLE SLEEVE	1	TBA
21	Part of item 18	FH-610201-0	OIL PUMP	1	TBA
22	Part of item 18	FH-610302-0	OUTER ROTOR	1	TBA
23	Part of item 18	FH-610301-0	INNER ROTOR	1	TBA
24	Part of item 18	FH-610002-0	SHAFT	1	TBA
25	Part of item 18	FH-610701-0	CASKET	1	TBA
26	Part of item 18	FH-610401-0	OIL PUMP COVER	1	TBA
27	Part of item 18	GB818-85	SCREW M5×10	1	TBA
28	XL-1-652-12	GB823-88	SCREW M5 X 32	1	R 2.64

**IMPORTANT NOTICE !!!! PRICES QUOTED ARE INCLUSIVE OF VAT AND EX JHB.
PRICES MAY VARY FROM DEALER TO DEALER. PRICES MAY CHANGE WITHOUT NOTICE.**

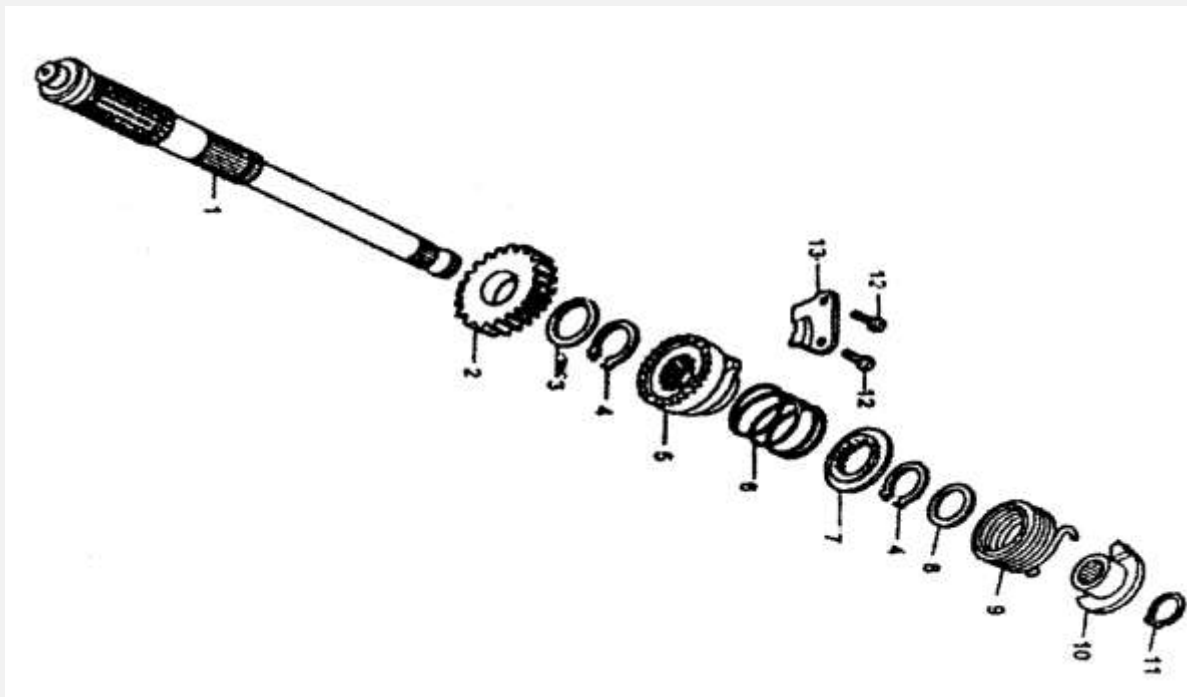
CRANKSHAFT



Ref	Part Code	Manf P/N	Description	Q'ty	Price Incl
1	EL-1-007-90	FH-210000-0	CRANKSHAFT ASSY	1	R 241.85
2	XI-1-007-625	FH-210003-0	WOODRUFF KEY	1	R 69.65
3	XI-1-007-600	FH-210302-0	TIMING DRIVE SPROCKET	1	R 104.69
4	XI-1-007-6304	GB276-89	BEARING 6304	1	R 26.25
5	EL-1-007-310	FH-210305-0	L CRANK HALF (crankshaft assembly)	1	R 610.91
		FH-210304-0	R CRANK HALF (crankshaft assembly)	1	TBA
		FH-210001-0	CRANK PIN (90cc) (crankshaft assembly)	1	TBA
		GB5846-86	NEEDLE BEARING 253013	1	TBA
		FH-210303-0	CONNECTING ROD (90cc)	1	TBA
10	XL-1-683-2	FH-200701-0	PISTON PIN CIRCLIP	1	R 11.03
11	EL-1-040-90	FH-220201-0	PISTON	1	R 181.79
12	EL-1-686-90	FH-200001-0	PISTON PIN	1	R 14.01
13a	EL-1-044-90	FH-220202-0	PISTON OIL RING	1	R 39.42
13b	XL-1-044-91		PISTON OIL COMPRESSION 2	1	R 15.46
13c	XL-1-044-92		PISTON OIL COMPRESSION 1	1	R 15.46

**IMPORTANT NOTICE !!!! PRICES QUOTED ARE INCLUSIVE OF VAT AND EX JHB.
PRICES MAY VARY FROM DEALER TO DEALER. PRICES MAY CHANGE WITHOUT NOTICE.**

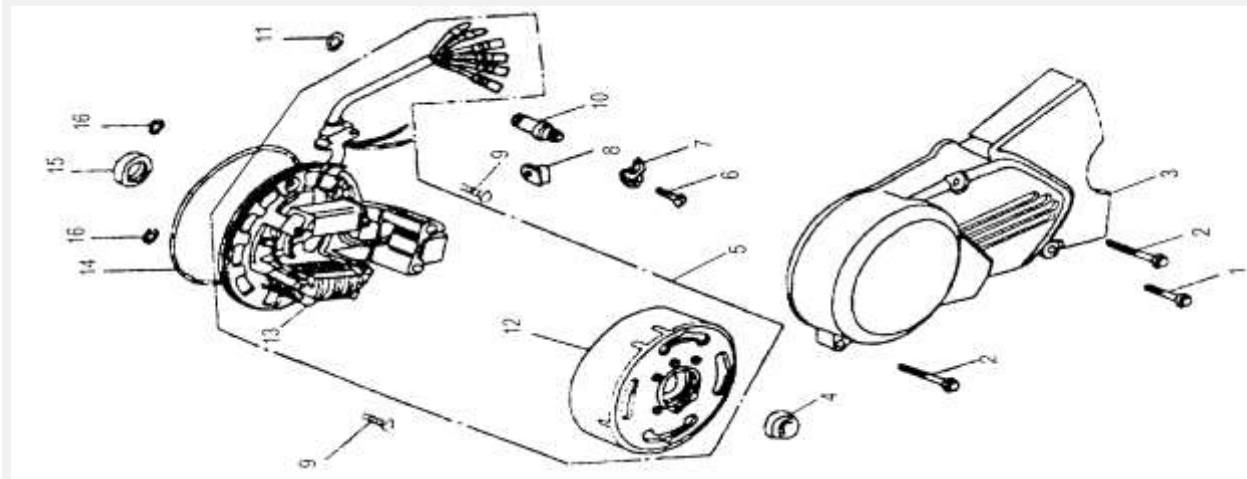
STARTER



Ref	Part Code	Manf P/N	Description	Q'ty	Price Incl
1	Part of item 15	FH-810001-0	KICK AXLE	1	TBA
2	Part of item 15	FH-810301-0	KICK GEAR	1	TBA
3	Part of item 15	FH-810401-0	WASHER	1	TBA
4	Part of item 15	FH-810404-0	CIR CLIP	1	TBA
5	Part of item 15	FH-810302-0	KICK RATCHET	1	TBA
6	Part of item 15	FH-810701-0	SPRING	1	TBA
7	Part of item 15	FH-810303-0	RATCHET SPRING BASE	1	TBA
8	Part of item 15	FH-810403-0	WASHER	1	TBA
9	Part of item 15	FH-810702-0	KICK AXLE SPRING	1	TBA
10	Part of item 15	FH-810303-0	KICK AXLE SPRING BASE	1	TBA
11	Part of item 15	FH-810402-0	CIR CLIP	1	TBA
12	Part of item 15	GB5783-86	BOLT M6×16	1	TBA
13	Part of item 15	FH-310401-0	RATCHET GUIDE PLATE	1	TBA
15	XL-1-011-1		ENGINE KICK START SHAFT ASSEMBLY		R 95.96

**IMPORTANT NOTICE !!!! PRICES QUOTED ARE INCLUSIVE OF VAT AND EX JHB.
PRICES MAY VARY FROM DEALER TO DEALER. PRICES MAY CHANGE WITHOUT NOTICE.**

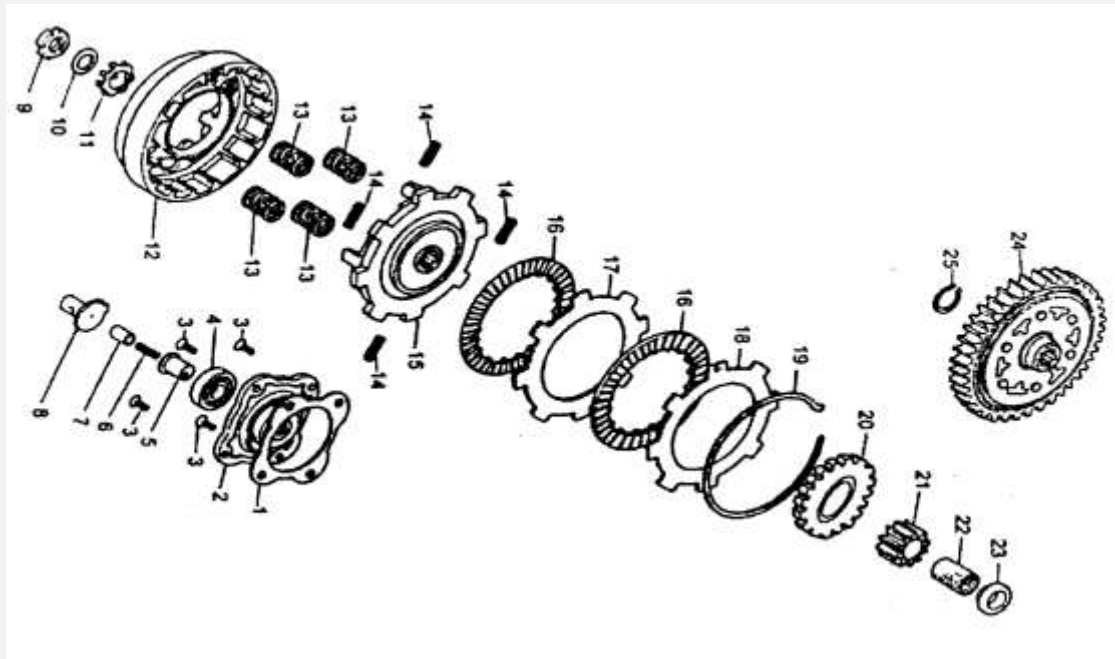
MAGNETO



Ref	Part Code	Manf P/N	Description	Q'ty	Price Incl
1	XR-1-032-21	GB5787-86	BOLT M6x30	1	TBA
2	XL-1-050-21	GB5787-86	BOLT M6x35	1	R 4.39
3	EL-1-026-110	FH-300201-A	L CRANKCASE (VUKA)	1	R 279.34
4	XL-1-717-1	GB6171-86	NUT 10 X 1.25	1	R 4.39
5	EL-1-030-95	FH-840000-0	MAGNETO ASSY	1	R 139.56
6	XL-1-030-96	GB819-85	SCREW M6x12	1	R 5.27
7	EL-1-030-97	FH-850401-0	CLIP	1	R 13.12
8	EL-1-030-98	FH-840601-0	WIRE CLIP	1	R 13.12
9	XL-1-030-99	GB818-85	SCREW M6x16	1	R 4.39
10	EL-10-024-1	FH-850000-0	GEAR POSITION TRANSDUCER	1	R 35.00
11	XL-1-010-15	FH-850601-0	O-RING 18 X 3	1	R 4.39
12	EL-1-030-91	FH-842000-0	FLYWHEEL	1	R 139.56
13	EL-1-030-90	FH-841000-0	STATOR ASSEMBLY	1	R 139.56
14	EL-1-030-92	FH-840603-0	O RING	1	R 6.14
15	EL-1-030-93	FH-860000-0	OIL SEAL	1	R 17.51
16	EL-1-030-94	FH-840603-0	O RING	1	R 6.14

**IMPORTANT NOTICE !!!! PRICES QUOTED ARE INCLUSIVE OF VAT AND EX JHB.
PRICES MAY VARY FROM DEALER TO DEALER. PRICES MAY CHANGE WITHOUT NOTICE.**

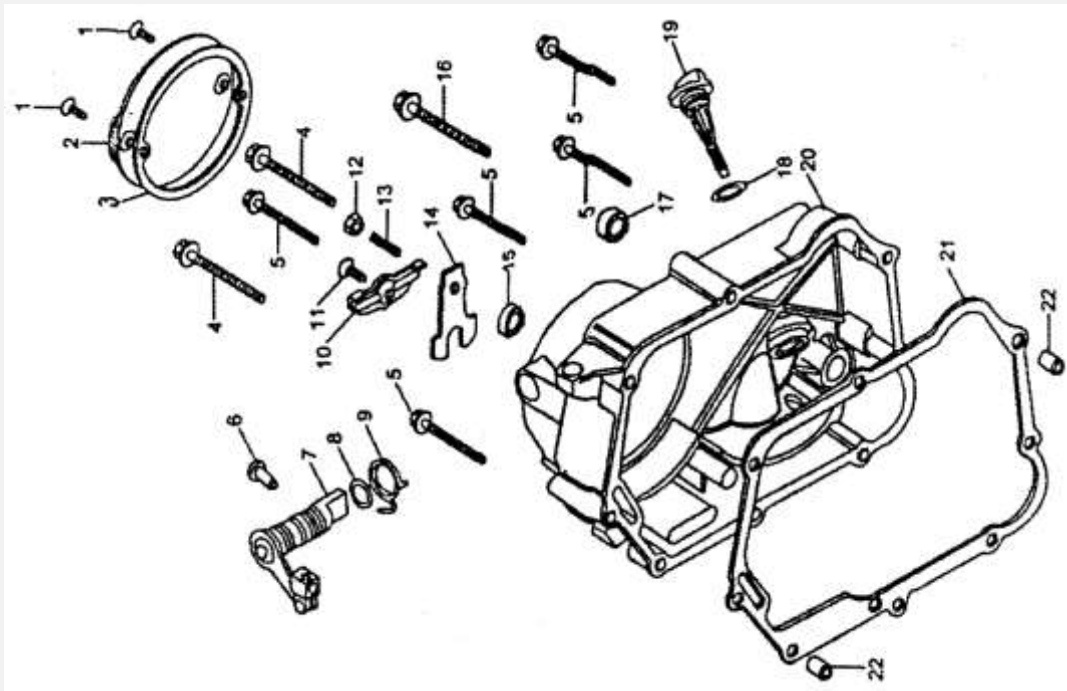
CLUTCH



Ref	Part Code	Manf P/N	Description	Q'ty	Price Incl
1	EL-1-025-12	FH-410601-0	GASKET END COVER	1	R 26.25
2	EL-1-025-11	FH-410203-0	END COVER CLUTCH	1	R 52.35
3	EL-1-025-37	GB819-85	SCREW M5 X 10	1	R 2.64
4	RM-1-025-16003	GB276-64	BEARING (16003)	1	R 26.25
5	Part of Item 26	FH-410204-0	OIL PIPE	1	TBA
6	Part of Item 26	FH-410702-0	OIL PIPE SPRING	1	TBA
7	Part of Item 26	FH-410002-0	OIL PIPE BUSHING	1	TBA
8	Part of Item 26	FH-440000-0	PRESSURE PLATE ASSY	1	TBA
9	XL-1-025-31	FH-400003-0	ROUND NUT M14	1	R 4.39
10	XL-1-025-32	FH-400401-0	WASHER 14	1	R 4.39
11	XL-1-025-33	FH-400402-0	THRUST WASHER 14	1	R 4.39
12	EL-1-025-10	FH-410202-0	CLUTCH OUTER CASE	1	R 52.35
13	EL-1-025-20	FH-410701-0	SPRING CLUTCH	1	R 13.12
14	EL-1-025-21	FH-410703-0	CUT SPRING CLUTCH	1	R 13.12
15	EL-1-025-19	FH-410201-0	DRIVE DISC	1	R 35.00
16	EL-1-025-15	FH-411000-0	FRICTION PLATE	1	R 35.00
17	EL-1-025-18	FH-410401-0	FRICTION PLATE	1	R 35.00
18	EL-1-025-17	FH-410403-0	DRIVEN FRICTION PLATE	1	R 35.00
19	EL-1-025-26	FH-410402-0	CIRCLIP	1	R 4.43
20	EL-1-025-9	FH-410001-0	GEAR COVER	1	R 52.35
21	EL-1-025-30	FH-400301-0	PRIMARY DRIVE GEAR	1	R 174.56
22	EL-1-025-14	FH-400002-0	COLLAR	1	R 13.12
23	EL-1-025-27	FH-400001-0	BUSH	1	R 13.12
24	EL-1-025-30	FH-420000-0	PRIMARY DRIVE GEAR	1	R 174.56
25	EL-1-010-20	GB894J-86	FORK GEARSHIFT	1	R 69.87
26	EL-1-025-1		CLUTCH ASSEMBLY	1	R 222.20

**IMPORTANT NOTICE !!!! PRICES QUOTED ARE INCLUSIVE OF VAT AND EX JHB.
PRICES MAY VARY FROM DEALER TO DEALER. PRICES MAY CHANGE WITHOUT NOTICE.**

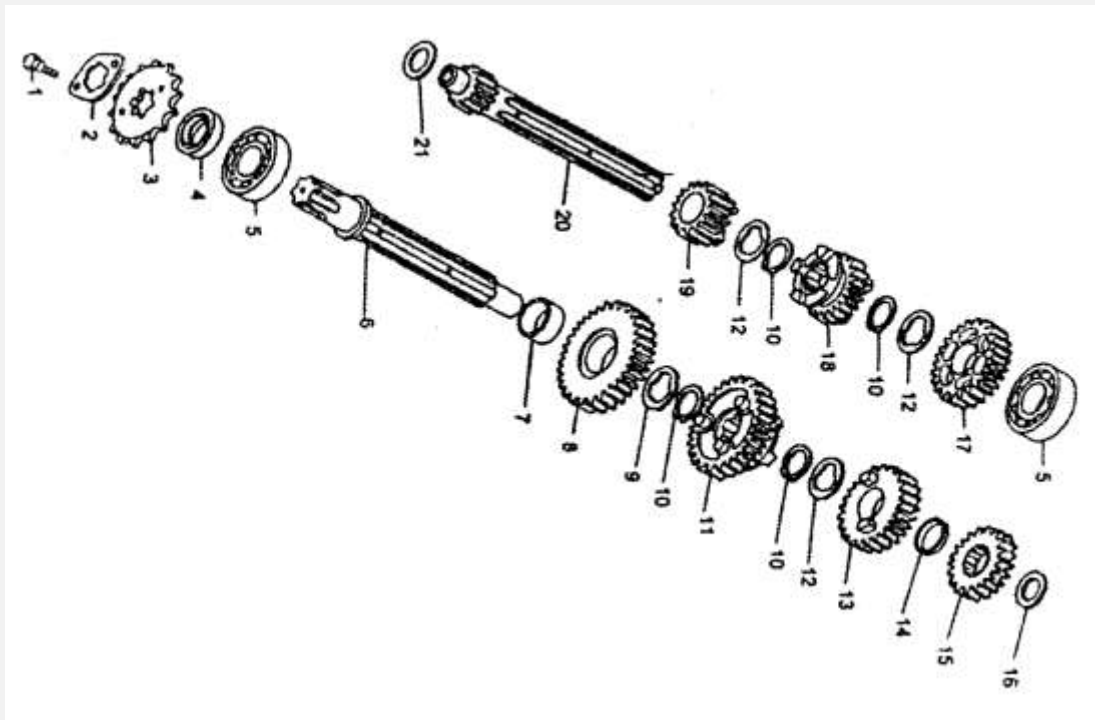
RIGHT CRANKCASE COVER



Ref	Part Code	Manf P/N	Description	Q'ty	Price Incl
1	XR-1-581-1	GB819-85	SCREW M6x20	1	R 5.27
2	EL-1-032-25	FH-400201-0	CAP COVER (VUKA)	1	R 26.25
3	EL-1-032-91	FH-400602-0	CLUTCH COVER GASKET	1	R 26.25
4	XL-1-007-14	GB5787-86	BOLT M6 X 60	1	R 5.27
5	XR-1-029-16	GB5787-86	BOLT M6x40	1	R 12.57
6	EL-1-249-5	FH-432001-0	DOWEL PIN	1	R 13.12
7	EL-1-249-1	FH-430000-0	CLUTCH LEVER ASSEMBLY	1	R 43.78
8	EL-1-249-2	FH-400601-0	CLUTCH LEVER O RING (9X19)	1	R 6.14
9	EL-1-249-3	FH-400701-0	CLUTCH LEVER SPRING	1	R 13.12
10	EL-1-249-6	FH-400402-0	PRESSURE PLATE	1	R 35.00
11	XL-1-037-19	GB819-85	SCREW M6 X 16	1	R 5.27
12	XR-1-652-7	GB6170-86	NUT M6	1	R 4.39
13	EL-1-249-7	FH-400002-0	CLUTCH PRESSURE P1ATE	1	R 35.00
14	EL-1-249-8	FH-400401-0	CLUTCH PRESSURE PLATE	1	R 35.00
15	EL-1-032-13	FH-342000-0	OIL SEAL 16x28x7	1	R 17.51
16	EL-1-007-16	GB5787-86	BOLT M6x80	1	R 5.27
17	EL-1-032-13	FH-343000-0	OIL SEAL 138 X 24 X 5	1	R 17.51
18	XL-1-614-2	FH-340601-0	O RING 18X3	1	R 10.49
19	XL-1-035-2	FH-340501-0	OIL FILLER CAP & DIPSTICK	1	R 17.51
20	EL-1-032-90	FH-340000-0	RIGHT CRANKCASE COVER (VUKA)	1	R 174.56
21	EL-1-036-1	FH-300603-0	RIGHT CASING GASKET	1	R 26.25
22	XL-1-627-2	FH-100702-0	DOWEL PIN 8 X 12	1	R 13.12
	EL-1-007-1		ENGINE (90cc)	1	R 1,660.00

**IMPORTANT NOTICE !!!! PRICES QUOTED ARE INCLUSIVE OF VAT AND EX JHB.
PRICES MAY VARY FROM DEALER TO DEALER. PRICES MAY CHANGE WITHOUT NOTICE.**

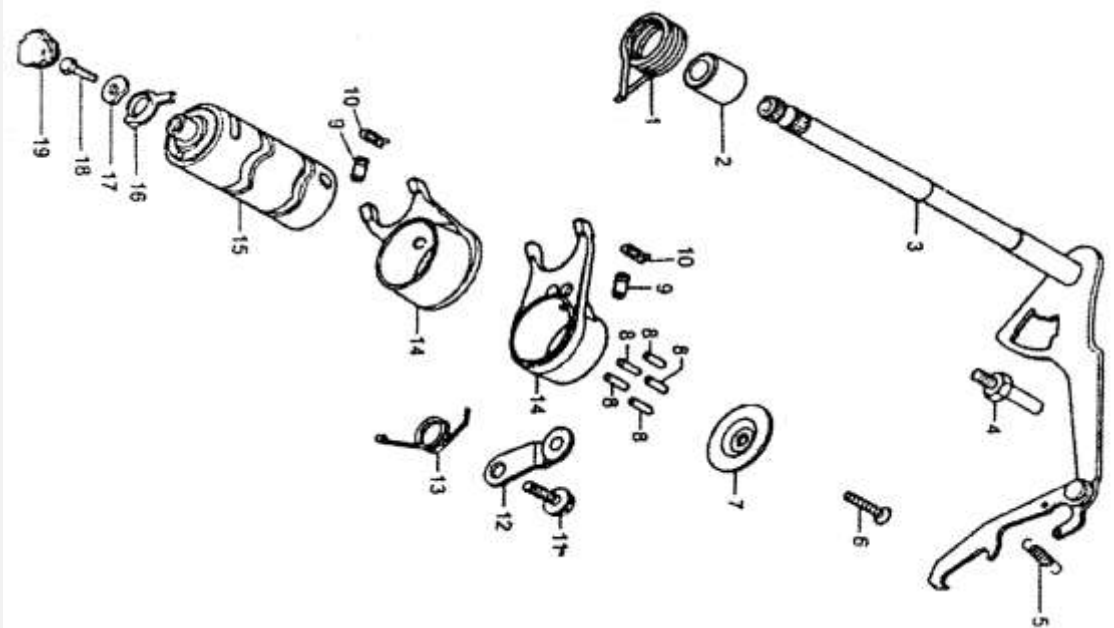
TRANSMISSION



Ref	Part Code	Manf P/N	Description	Q'ty	Price Incl
1	XL-1-734-31	GB5783-86	BOLT M6x10	1	R 5.27
2	XL-2-019-3	FH-500402-0	FIXING PLATE DRIVE SPROCKET	1	R 31.44
3	XL-2-019-1	FH-500401-0	DRIVE SPROCKET (90cc)	1	R 91.21
4	XL-2-019-5513	FH-360000-0	OIL SEAL 17 X 29 X 5	1	R 17.51
5	XL-1-010-6201	GB276-89	BEARING 6201	1	R 26.25
6	EL-1-010-550	FH-520301-0	COUNTERSHAFT	1	R 418.95
7	EL-1-010-556	FH-521001-0	BUSH	1	R 13.12
8	EL-1-010-551	FH-520300-0	1ST GEAR COUNTERSHAFT	1	R 139.56
9	EL-2-019-5510	FH-520002-0	SPLINE WASHER 20	1	R 4.35
10	EL-2-019-5512	FH-510003-0	CIRCLIP 20	1	R 4.35
11	EL-1-010-552	FH-520303-0	2ND GEAR COUNTERSHAFT	1	R 139.56
12	XL-2-019-5511	FH-510001-0	SPLINE WASHER 20	1	R 4.39
13	EL-1-010-553	FH-520300-0	3RD GEAR COUNTERSHAFT	1	R 139.56
14	EL-2-019-559	FH-520401-0	THRUST WASHER 17	1	R 4.35
15	EL-1-010-554	FH-520304-0	4TH GEAR COUNTERSHAFT	1	R 139.56
16	EL-2-019-561	FH-520002-0	BUSH COUNTERSHAFT 1ST GEAR	1	R 35.00
17	EL-1-010-504	FH-510300-0	4TH GEAR MAINSHAFT	1	R 139.56
18	EL-1-010-503	FH-510303-0	3RD GEAR MAINSHAFT	1	R 139.56
19	EL-1-010-502	FH-510302-0	2ND GEAR MAINSHAFT	1	R 139.56
20	EL-1-010-500	FH-510301-0	MAIN SHAFT	1	R 70.00
21	EL-1-010-3	FH-510402-0	WASHER	1	R 4.43

**IMPORTANT NOTICE !!!! PRICES QUOTED ARE INCLUSIVE OF VAT AND EX JHB.
PRICES MAY VARY FROM DEALER TO DEALER. PRICES MAY CHANGE WITHOUT NOTICE.**

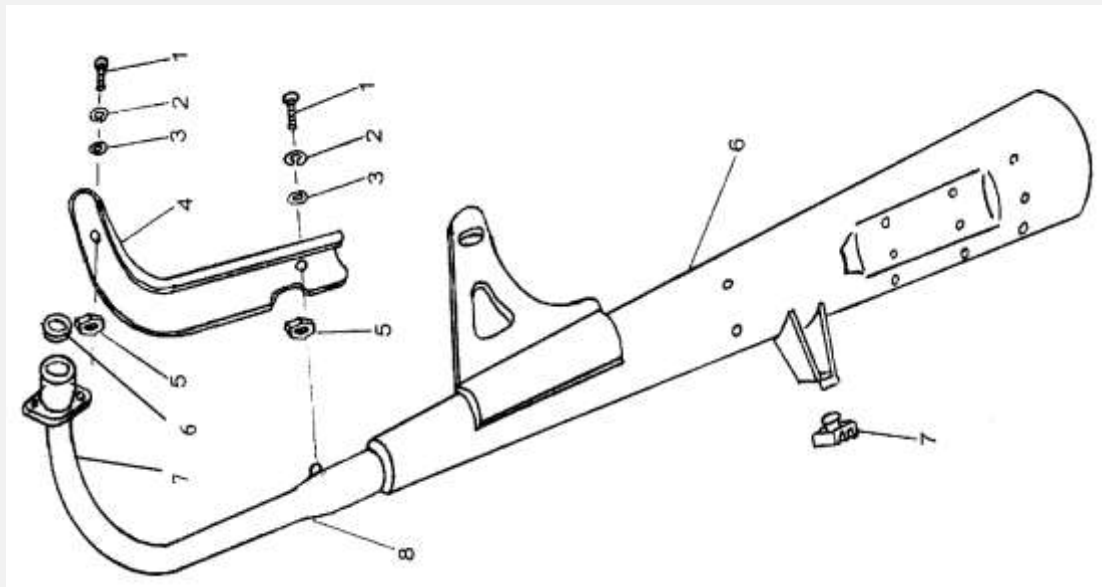
SHIFTER



Ref	Part Code	Manf P/N	Description	Q'ty	Price Incl
1	EL-1-010-4	FH-560702-0	RETURN SPRING GEARSHIFT LEVER	1	R 26.25
2	EL-1-010-3	FH-560003-0	BUSHING	1	R 4.43
3	EL-1-010-1	FH-560001-0	GEARSHIFT SHAFT ASSEMBLY	1	R 226.92
4	EL-1-010-5	FH-500001-0	FIXING BOLT	1	R 8.74
5	EL-1-010-16	FH-560701-0	SPRING GEARSHIFT ARM	1	R 26.25
6	XL-1-037-18	GB819-85	SCREW M6 X 12	1	R 4.39
7	EL-1-010-24	FH-530402-0	BAFFLE GEARSHIFT DRUM	1	R 69.87
8	EL-1-010-25	FH-530002-0	PIN GEARSHIFT DRUM	1	R 13.12
9	EL-1-010-21	FH-530001-0	GUIDE PIN	1	R 13.12
10	EL-1-010-22	FH-530701-0	GUIDE PIN CLIP	1	R 13.12
11	EL-1-010-28	FH-500002-0	LIMIT PLATE BOLT	1	R 8.74
12	EL-1-010-26	FH-550401-0	GEARSHIFT PLATE	1	R 69.87
13	EL-1-010-27	FH-500701-0	SPRING GEARSHIFT PLATE	1	R 26.25
14	EL-1-010-20	FH-530202-0	FORK GEARSHIFT	1	R 69.87
15	EL-1-010-23	FH-530201-0	GEARSHIFT CAM	1	R 104.69
16	EL-1-010-7	FH-530401-0	POSITION PLATE GEAR SWITCH	1	R 52.35
17	EL-1-010-3	GB96-85	WASHER 6	1	R 4.43
18	EL-1-010-13	GB5783-86	BOLT	1	R 8.74
19	EL-10-024-1	FH-300602-0	GEAR POSITION TRANSDUCER	1	R 35.00

**IMPORTANT NOTICE !!!! PRICES QUOTED ARE INCLUSIVE OF VAT AND EX JHB.
PRICES MAY VARY FROM DEALER TO DEALER. PRICES MAY CHANGE WITHOUT NOTICE.**

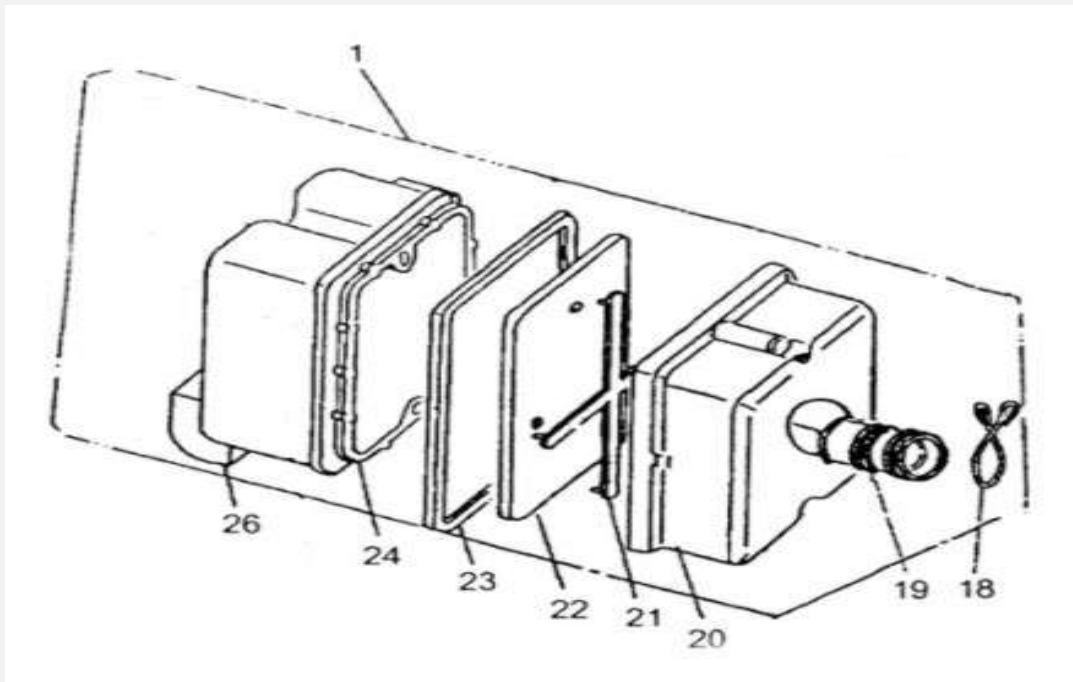
SILENCER ASSY



Ref	Part Code	Manf P/N	Description	Q'ty	Price Incl
1	XL-3-001-4	GB818-85	BOLT M5x8	1	R 4.39
2	EL-1-652-1	GB97-85	WASHER5	1	R 4.35
3	EL-3-001-3	GB93-87	WASHER5	1	R 4.43
4	EL-3-001-1	ZF1-730401-0	HEATSHIELD	1	R 35.44
5	EL-3-001-2	ZF1-730703-0	WASHER 5	1	R 4.43
6	EL-3-002-1	ZF1-730701-0	EXHAUST GASKET	1	R 26.25
7	EL-9-083-110	ZF1-730601-0	DAMPING PAD MAIN STAND	1	TBA
8	EL-3-001-110	ZF1-750000-0	EXHAUST ASSEMBLY	1	R 368.12

**IMPORTANT NOTICE !!!! PRICES QUOTED ARE INCLUSIVE OF VAT AND EX JHB.
PRICES MAY VARY FROM DEALER TO DEALER. PRICES MAY CHANGE WITHOUT NOTICE.**

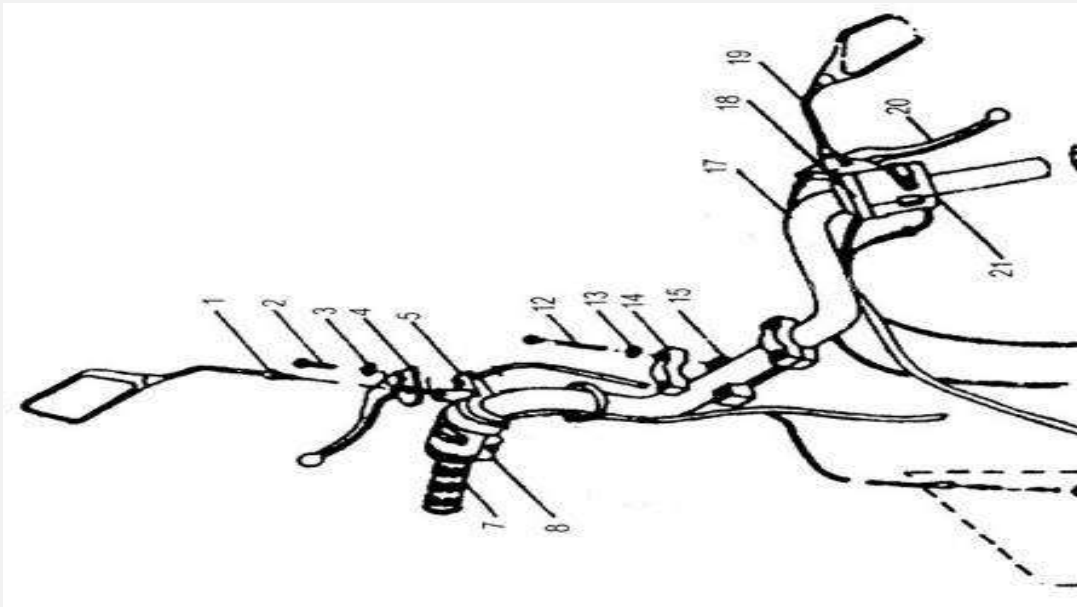
AIR FILTER



Ref	Part Code	Manf P/N	Description	Q'ty	Price Incl
1	EL-1-001-1	107	AIRFILTER ASSEMBLY	1	R 130.83
18	EL-1-001-10	0107-2	CLAMP	1	R 17.51
19	EL-1-001-2	0107-1	CONNECTION	1	R 52.35
20	EL-1-001-4	0107-4	AIR FILTER COVER	1	R 52.35
21	EL-1-001-12	0107-3	SUPPORTING STRAP	1	R 26.25
22	EL-1-001-9	0107-7	FILTER ELEMENT	1	R 52.51
23	EL-1-001-7	0107-5	RUBBER	1	R 26.25
24	EL-1-001-3	0107-9	AIR FILTER CASING	1	R 69.87

**IMPORTANT NOTICE !!!! PRICES QUOTED ARE INCLUSIVE OF VAT AND EX JHB.
PRICES MAY VARY FROM DEALER TO DEALER. PRICES MAY CHANGE WITHOUT NOTICE.**

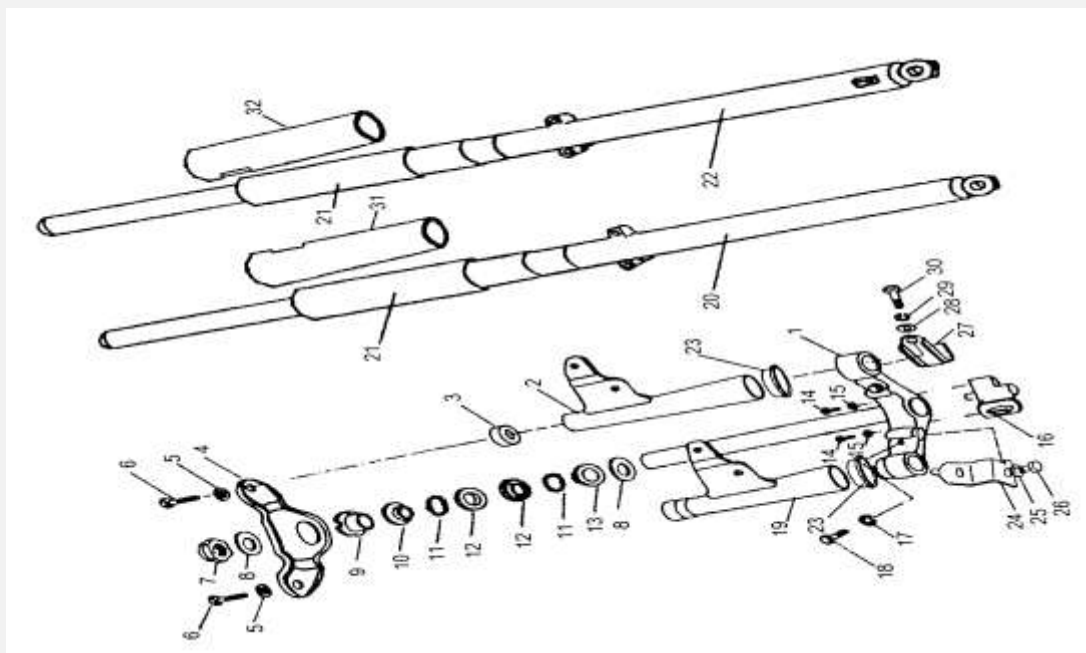
STEERING & CONTROLS



Ref	Part Code	Manf P/N	Description	Q'ty	Price Incl
1	EL-11-014-1	ZF80-38-01	LEFT REARVIEW MIRROR	1	R 78.65
2	XL-1-050-4	ZF50Q-06A-7	BOLT M6×16	1	R 5.27
3	XL-3-001-2	GB973-87	WASHER 5	1	R 4.39
4	EL-1-066-1	ZF50Q-2-6A-3	CLUTCH LEVER	1	R 43.78
5	EL-10-017-1	ZF80-2-30-1	LEFT SWITCH ASSEMBLY	1	R 99.44
7	EL-8-003-1	ZF50A-06-2J	LEFT HANDLEBAR GRIP	1	R 17.51
8	EL-10-017-1	ZF80-3002	LEFT SWITCH ASSEMBLY	1	R 99.44
12	XL-1-037-1	GB5784-86	BOLT M6 X 35	1	R 5.27
13	XL-1-047-10	GB97-1-85	WASHER 6	1	R 4.39
14	EL-8-005-4	ZF50-07-1	HANDLE BAR SADDLE CLAMP UPPER	1	R 21.86
15	EL-8-005-6	ZF50Q-2-07-1	HANDLE BAR SADDLE CLAMP LOWER	1	R 21.86
17	EL-8-002-1	ZF50Q-4A-30-1A	HANDLEBAR TUBE ASSEMBLY	1	R 139.56
19	EL-11-014-2	ZF80-38-02	REAR RIGHT VIEW MIRROR	1	TBA
20	EL-8-004-1	ZF50Q-2-06A-5	RIGHT HANDLEBAR GRIP	1	R 17.51
21	EL-10-018-1	ZF80-2-3001	RIGHT HANDLEBAR SWITCH	1	R 99.44
24	EL-1-021-1	ZF80-2-31	THROTTLE CABLE	1	R 35.00
25	EL-5-002-1	ZF50Q-4A-32	FRONT BRAKE CABLE	1	R 35.00
26	EL-5-051-1	ZF50A-30-4	SPRING	1	R 13.12
27	EL-5-052-1	ZF50Q-4-32-2	BRAKE CABLE PIN	1	R 13.12
28	EL-5-053-1		BRAKE CABLE NUT	1	R 4.35
29	EL-1-061-1	ZF80-2-34	CLUTCH CABLE	1	R 35.00

**IMPORTANT NOTICE !!!! PRICES QUOTED ARE INCLUSIVE OF VAT AND EX JHB.
PRICES MAY VARY FROM DEALER TO DEALER. PRICES MAY CHANGE WITHOUT NOTICE.**

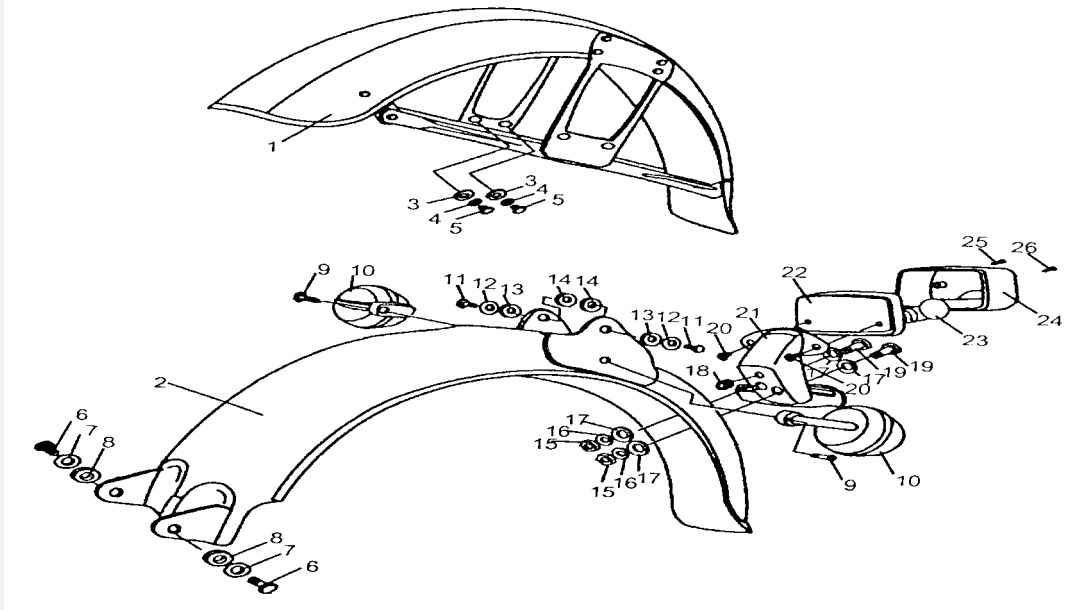
STEERING HEAD



Ref	Part Code	Manf P/N	Description	Q'ty	Price Incl
1	EL-8-005-1	ZF70-17-01	STEERING HEAD	1	R 314.13
2	EL-9-100-4	ZF60-17-03	BRACKET	1	R 42.01
3	EL-9-100-3	ZF60-17-4	BUFFER	1	TBA
4	EL-8-005-3	ZF70	STEERING HEAD	1	R 377.06
5	EL-1-717-2	GB97-1-85	WASHER 10	1	R 4.35
6	EL-5-102-17	GB5783-86	BOLT M10×20	1	R 8.74
7	EL-8-011-9	ZF70	NUT M21	1	R 8.74
8	EL-8-011-10	ZF50-00-43	WASHER 22	1	R 4.35
9	RM-8-008-1	ZF70	NUT	1	R 4.43
10	EL-8-009-1	ZF70	UPPER BEARING RACE	1	R 17.51
11	EL-8-011-6	ZF70	ROLLER CAGE (47625)	1	R 17.51
12	EL-8-015-1	ZF70	BEARING BALL CUP	1	R 26.25
13	EL-8-012-1	ZF70	BEARING BALL RACE	1	R 26.25
14	XL-1-037-18	GB823-88	SCREW M6 X 12	1	R 4.39
15	XL-1-047-10	GB83-87	WASHER 6	1	R 4.39
16	EL-9-099-1	ZF70	IGNITION SWITCH & LOCK BARREL	1	R 104.69
17	XL-1-652-4	GB93-87	WASHER 8	1	R 4.39
18	XL-9-024-1	GB5783-86	BOLT M8 X 32	1	R 7.03
19	EL-9-100-5	ZF70	BRACKET	1	R 42.01
20	EL-7-003-110	ZF80-2-1701-02	FRONT RIGHT ABSORBER	1	R 315.01
21	EL-7-002-6	ZF70	SHOCK BOOT	1	TBA
22	EL-7-001-110	ZF80-2-1701-01	FRONT LEFT ABSORBER	1	R 315.01
23	EL-9-100-10	ZF70	BUFFER	1	R 8.74
24	EL-10-009-2	ZF70	HOOTER BRACKET	1	R 17.51
25	XL-1-047-10	GB96-85	WASHER 6	1	R 4.39
26	XL-1-050-4	GB5783-86	BOLT M6×16	1	R 5.27
27	EL-9-100-11	ZF70	WIRE CLAMP	1	R 13.12
28	XL-1-652-4	GB96-85	WASHER 8	1	R 4.39
29	RM-3-002-2	GB93-87	SPRING WASHER M8	1	R 2.64
30	EL-2-001-5	GB5783-86	BOLT M8×16	1	R 7.03
31	EL-9-100-7	ZF70	RIGHT GUIDE DECORATIVE TUBE	1	R 8.74
32	EL-9-100-8	ZF70	LEFT GUIDE DECORATIVE TUBE	1	R 8.74

**IMPORTANT NOTICE !!!! PRICES QUOTED ARE INCLUSIVE OF VAT AND EX JHB.
PRICES MAY VARY FROM DEALER TO DEALER. PRICES MAY CHANGE WITHOUT NOTICE.**

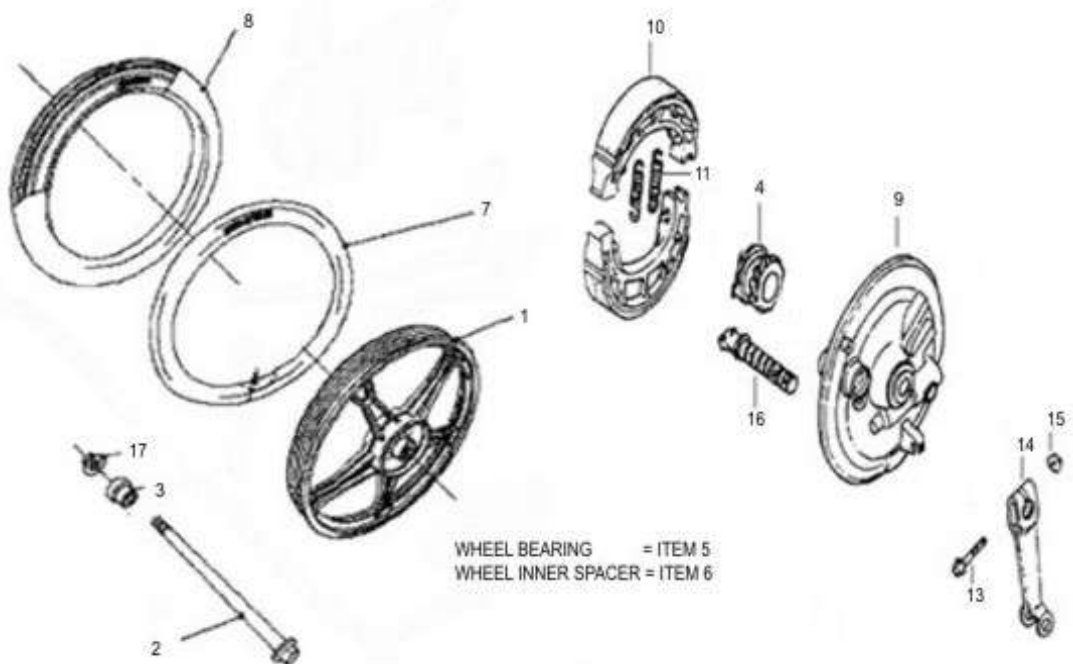
FRONT MUDGUARD



Ref	Part Code	Manf P/N	Description	Q'ty	Price Incl
1	EL-9-004-BLK-1	39469	FRONT MUDGUARD	1	R 174.56
	EL-9-004-SIL-1				R 174.56
2	EL-9-016-BLK-1	39529	REAR MUDGUARD	1	R 122.21
	EL-9-016-SIL-1				TBA
3	XL-1-047-10	GB818-85	WASHER 6	1	R 4.39
4	EL-3-002-3	GB97-1-85	SPRING WASHER 6	1	R 2.64
5	XR-1-609-36	39590	BOLT M6x12	1	TBA
6	XL-1-047-13	GB5783-86	BOLT M6 X 20	1	R 5.27
7	XL-1-047-10	39470	WASHER 6	1	R 4.39
8	EL-1-047-11		RUBBER WASHER	1	R 4.35
9	XR-1-609-36	GB818-85	BOLT M6x12	1	TBA
10	EL-10-007-4	GB93-87	REAR INDICATOR LH	1	R 83.70
	EL-10-007-3		REAR INDICATOR RH	1	R 83.70
11	XL-1-052-1	GB5783-86	BOLT M6 X 22	1	R 5.27
12	XL-1-047-10	GB96-85	WASHER 6	1	R 4.39
13	EL-1-047-11		RUBBER WASHER	1	R 4.35
14	EL-1-047-11		RUBBER WASHER	1	R 4.35
15	XR-1-652-7	GB6170	NUT M6	1	R 4.39
16	EL-3-002-3	GB93-87	SPRING WASHER 6	1	R 2.64
17	XL-1-047-10	GB96-85	WASHER 6	1	R 4.39
18	EL-9-027-2		RUBBER RING	1	R 4.35
19	XL-1-050-4	GB5783	BOLT M6x16	1	R 5.27
20	XL-1-599-3	GB9074	BOLT M5x12	1	R 5.86
21	EL-10-014-BLK-5	ZF70	TAILIGHT HOLDER	4	R 35.00
	EL-10-014-SIL-5				R 35.00
22	EL-10-020-6	ZF70	TAIL LAMP HOUSING	1	R 174.56
23	XL-10-021-21		12V 21W REAR LAMP BULB	1	R 8.74
24	EL-10-020-3		LENS TAIL LIGHT	1	R 35.00
25	EL-10-020-2	GB818-85	SCREW 4x40	1	R 26.25

**IMPORTANT NOTICE !!!! PRICES QUOTED ARE INCLUSIVE OF VAT AND EX JHB.
PRICES MAY VARY FROM DEALER TO DEALER. PRICES MAY CHANGE WITHOUT NOTICE.**

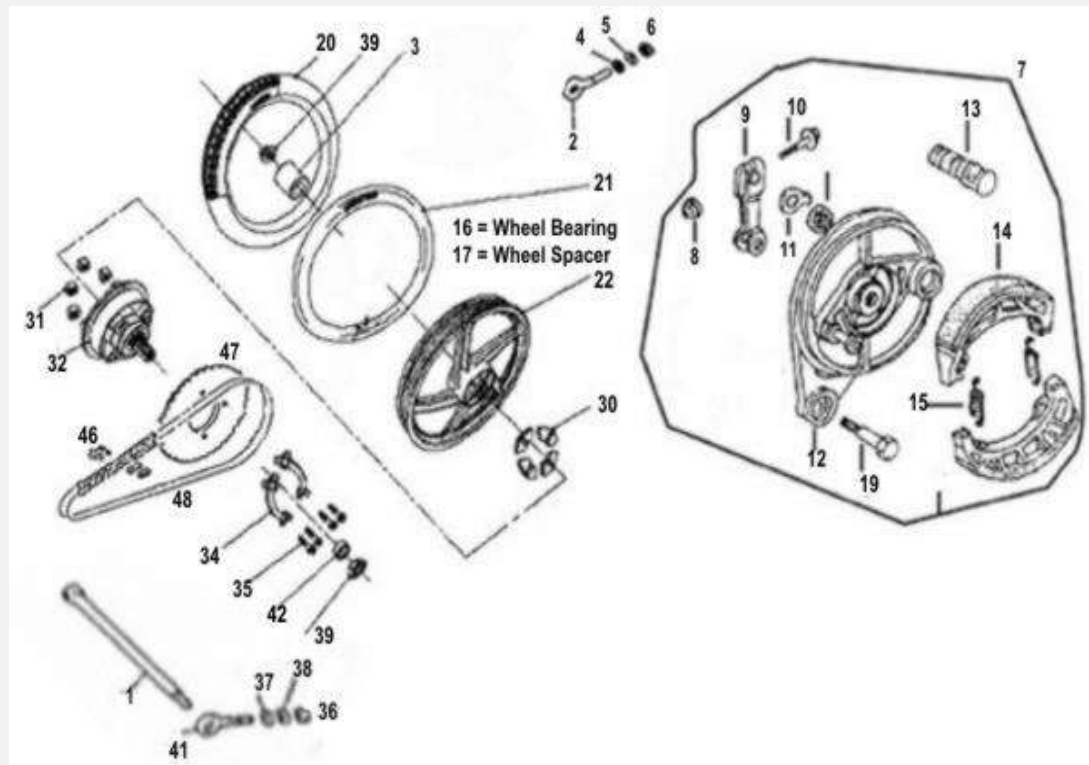
19, FRONT WHEEL



Ref	Part Code	Manf P/N	Description	Q'ty	Price Incl
1	XL-6-003-110	ZF60-A-20A	ALLOY WHEEL ASSEMBLY	1	R 628.43
2	XL-6-001-1	ZF50Q-4-00-1	FRONT AXLE BOLT	1	R 17.51
3	XL-6-002-125	ZF60-A-20-2A	FRONT AXLE SPACER	1	R 57.48
4	XL-6-080-11	ZF70	WORM GEAR (WHEEL DRIVEN)	1	R 13.12
5	XL-6-003-60101	GB279-79	BEARING 160101	1	R 26.25
6	XL-6-003-6	ZF50Q-4-20-02	FRONT AXLE SPACER	1	R 13.12
7	XL-6-005-1	ZF50-11-02	FRONT INNER TUBE	1	R 62.84
8	XL-6-004-1	ZF50-11-1	FRONT TYRE (250 - 17)	1	R 163.69
9	XL-5-016-110	ZF70	FRONT BRAKE BACK-PLATE & SPEED COUNTER	1	R 174.56
10	XL-5-001-110	ZF70	BRAKE SHOE (PAIR)	1	R 60.69
11	XL-5-004-110	ZF50Q-4-37-2	BRAKE SPRING	1	R 13.12
12	XL-5-016-110	ZF70	FRONT BRAKE ASSEMBLY	1	R 174.56
13	XL-1-052-1	ZF80-23-13	BOLT M6 X 22	1	R 5.27
14	XL-5-033-1	ZF70	BRAKE ARM	1	R 26.25
15	XR-1-652-7	GB6170-86	NUT M6	1	R 4.39
16	XL-5-038-1	ZF70	BRAKE CAM	1	R 17.51
17	XL-2-002-1	GB6187-86	NUT M10 X 1.25	1	R 4.39

**IMPORTANT NOTICE !!!! PRICES QUOTED ARE INCLUSIVE OF VAT AND EX JHB.
PRICES MAY VARY FROM DEALER TO DEALER. PRICES MAY CHANGE WITHOUT NOTICE.**

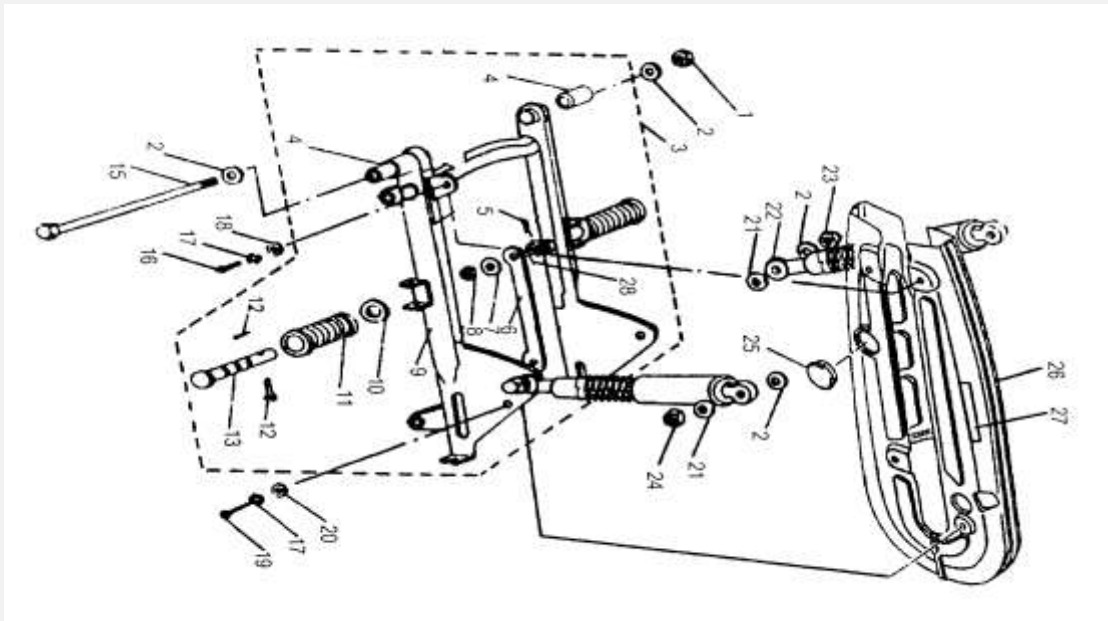
REAR WHEEL



Ref	Part Code	Manf P/N	Description	Q'ty	Price Incl
1	XL-6-007-1	ZF80-2-00-6	REAR WHEEL AXLE	1	R 17.51
2	XL-2-009-1	ZF80-00-101	CHAIN ADJUSTER - RIGHT	1	R 16.96
3	XL-6-015-1	ZF80-2-00-7	AXLE SPACER	1	R 13.12
4	XL-1-047-10	GB97-1-85	WASHER 6	1	R 4.39
5	XL-1-047-10	GB93-87	WASHER 6	1	R 4.39
6	XR-1-652-7	GB6170-86	NUT M6	1	R 4.39
7	XL-5-006-1	ZF70	REAR BRAKE ASSEMBLY	1	R 502.74
8	XR-1-652-7	GB6170-86	NUT M6	1	R 4.39
9	XL-5-033-1	ZF70	BRAKE ARM	1	R 26.25
10	XL-1-050-6	GB5783-86	BOLT M6 X 32	1	R 5.27
11	XL-5-036-1	ZF70	INDICATING PLATE	1	R 4.39
12	XL-5-041-1	ZF70	BACK-PLATE	1	R 87.22
13	XL-5-038-1	ZF70	BRAKE CAM	1	R 17.51
14	XL-5-001-1	ZF70	BRAKE SHOE (PAIR)	1	R 156.56
15	XL-5-043-1	ZF80-23-9	RETURN SPRING	1	R 13.12
16	XL-6-009-160301	GB278-82	BEARING 160301	1	R 62.84
17	EL-6-009-2	ZF80-14-13	SPACER	1	R 13.12
19	XL-5-042-1	ZF70	BOLT	1	R 8.74
20	XL-6-010-1	ZF80-14-51	TYRE	1	R 172.28
21	XL-6-011-1	ZF80-14-52	INNER TUBE	1	R 62.84
22	EL-6-009-110	ZF80-14-1	ALLOY WHEEL ASSEMBLY	1	R 418.84
30	XL-6-013-110	ZF80-14-11	TORQUE ABSORBER RUBBER	1	R 149.63
31	XL-6-028-110	GB6170-86	SPROCKET RETAINING NUT	1	R 4.39
32	EL-6-012-1	ZF70	HUB	1	R 70.54
33	EL-2-010-110	ZF80-0208-3	REAR SPROCKET (40 TEETH)	1	R 99.44
34	XL-6-029-110	ZF80-0208-4	SPROCKET TAB PLATE	1	R 13.12
35	XL-6-030-110	ZF80-0208-5	SPROCKET ATTACHMENT BOLT	1	R 17.51
36	XR-1-652-7	GB6170-86	NUT M6	1	R 4.39
37	XL-1-047-10	GB93-87	WASHER 6	1	R 4.39
38	XL-1-047-10	GB97-1-85	WASHER 6	1	R 4.39
39	XR-1-025-31	GB9457-88	NUT M12x125	1	R 10.49
40	EL-6-006-1	GB6173-86	NUT M17x1	1	R 4.35
41	XL-2-008-1	ZF80-02-31	CHAIN ADJUSTER - LEFT	1	R 16.87
45	XL-6-012-1	ZF80-0203-2	BUSH	1	R 13.12
46	EL-2-007-1		JOINT DRIVING CHAIN	1	R 104.69
47	XL-2-010-110	GB/T14212-93	REAR SPROCKET (110cc 40 TEETH)	1	R 106.13

**IMPORTANT NOTICE !!!! PRICES QUOTED ARE INCLUSIVE OF VAT AND EX JHB.
PRICES MAY VARY FROM DEALER TO DEALER. PRICES MAY CHANGE WITHOUT NOTICE.**

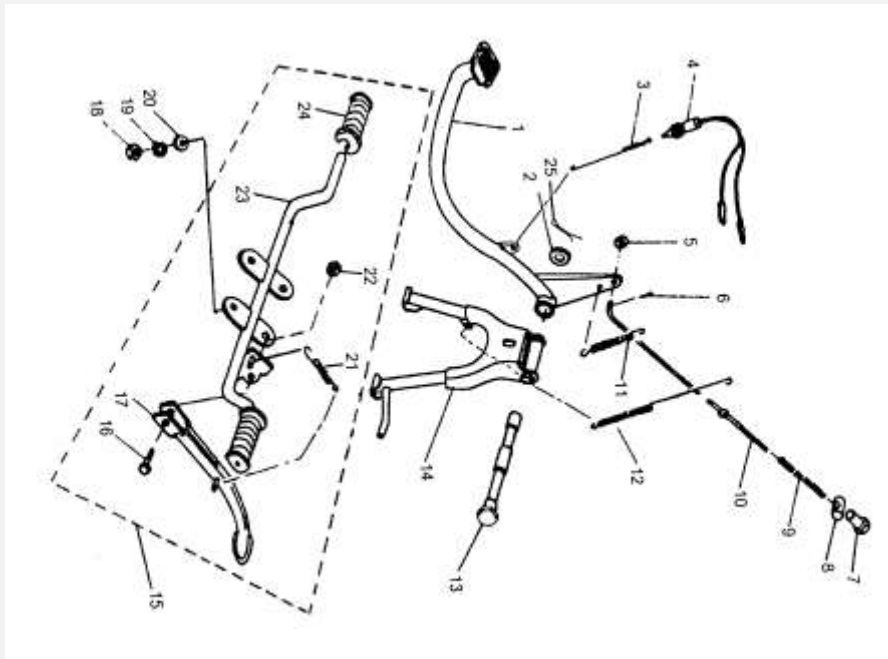
SWINGING ARM



Ref	Part Code	Manf P/N	Description	Q'ty	Price Incl
1	XL-2-002-1	GB6171-86	NUT M10 X 1.25	1	R 4.39
2	XL-1-717-2	GB97-1-85	WASHER 10	1	R 4.39
4	XL-7-008-1	ZF80-0202-02	SWINGING ARM BUSH	1	R 26.25
5	Local Purchase	GB91-86	PIN 2x16	1	TBA
6	EL-5-007-1	ZF80-2-15-12	TENSION PLATE	1	R 52.35
7	XL-1-652-4	GB97-1-85	WASHER 8	1	R 4.39
8	XR-1-571-16	GB6170-86	NUT M8	1	R 4.39
9	EL-7-008-110	ZF80-2-15	SWINGING ARM	1	R 174.56
10	EL-11-007-4	ZF80-0202-42	WASHER	1	R 4.35
11	EL-11-007-3	ZF80-0202-44	REAR FOOTREST RUBBER TREAD	1	R 17.51
12	Local Purchase	ZF80-0202-44	SPLIT PIN	1	TBA
13	EL-11-007-1	ZF80-0202-04	REAR FOOTREST	1	R 181.43
14	EL-11-007-7	ZF80-0202-43	PIN	1	R 13.12
15	EL-7-010-110	ZF50Q-4-00-12	SWINGING ARM PIVOT SHAFT	1	R 87.22
16	RM-1-607-17	GB823-88	BOLT M6x8	1	R 12.57
19	RM-1-607-17	GB823-88	BOLT M6x8	1	R 12.57
20	XL-1-047-10	GB97-1-85	WASHER 6	1	R 4.39
21	XL-1-717-2	GB96-86	WASHER 10	1	R 4.39
22	EL-7-004-1	ZF90	REAR SHOCK ABSORBER	1	R 244.43
23	XL-2-002-1	GB923-88	NUT M10 X 1.25	1	R 4.39
24	XL-2-002-1	GB923-88	NUT M10 X 1.25	1	R 4.39
25	EL-2-011-2	ZF70	CHAIN INSPECTION PLUG	1	R 13.12
	EL-2-003-110		UPPER CHAIN CASE	1	R 52.35
26	EL-2-001-110	ZF70	LOWER CHAIN CASE	1	R 43.78

**IMPORTANT NOTICE !!!! PRICES QUOTED ARE INCLUSIVE OF VAT AND EX JHB.
PRICES MAY VARY FROM DEALER TO DEALER. PRICES MAY CHANGE WITHOUT NOTICE.**

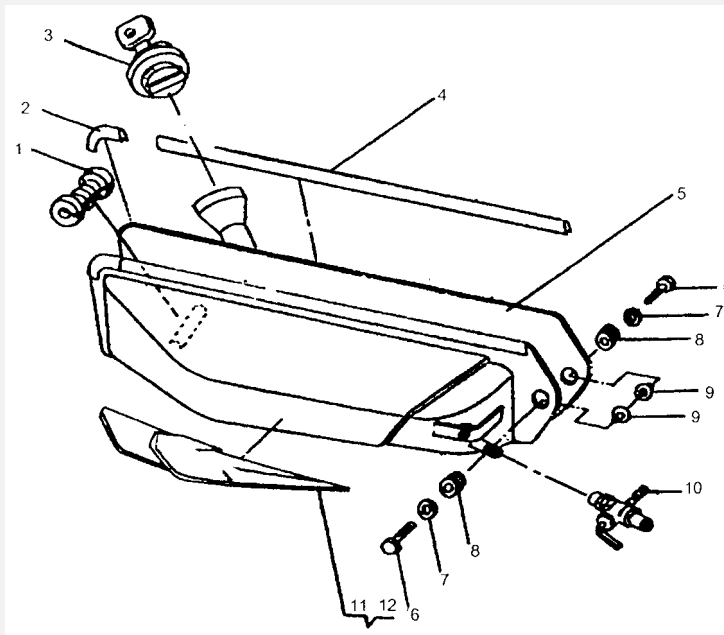
BRAKE PEDAL, STAND, FOOTREST



Ref	Part Code	Manf P/N	Description	Q'ty	Price Incl
1	EL-5-010-1	ZF50Q-4A-00-03	BRAKE PEDAL ASSEMBLY	1	R 52.35
2	XL-9-084-110	GB896-86	WASHER 16	1	R 4.39
3	EL-5-011-1	ZF50Q-4-00-7	BRAKE SWITCH SPRING	1	R 13.12
4	EL-5-008-1	ZF50Q-4A-65A	BRAKE SWITCH ASSEMBLY	1	R 52.35
5	XL-1-047-10	ZF50Q-1-85	WASHER 6	1	R 4.39
6	Local Purchase	GB91-86	PIN 2x12	1	TBA
7	XL-5-053-1		BRAKE CABLE NUT	1	R 4.39
8	XL-5-046-1	ZF80-00-10	BRAKE ARM JOINT PIN	1	R 13.12
9	XL-5-044-1	ZF80-00-35	SPRING	1	R 13.12
10	EL-5-010-2	ZF60-00-9	BRAKE PULL ROD	1	R 52.35
11	EL-5-049-2	ZF50Q-4-00-8	BRAKE RETURN SPRING	1	R 13.12
12	EL-9-087-110	ZF50Q-4-00-11	SPRING	1	R 13.12
13	EL-9-089-110	ZF50Q-4-00-10	CENTRE STAND PIVOT	1	R 26.25
14	EL-9-088-110	ZF50Q-10-16	MAIN STAND ASSEMBLY	1	R 69.87
15	EL-1-012-110	ZF70	FOOTREST LEVER	1	R 69.87
16	XL-9-091-110	ZF80-00-161	SIDE STAND SHAFT	1	R 13.12
17	EL-9-093-110	ZF80-00-024	SIDE STAND	1	R 52.35
18	XL-2-011-1	GB6170-86	BOLT M8 X 20	1	R 7.03
19	XL-1-652-4	GB93-87	WASHER 8	1	R 4.39
20	RM-3-002-2	GB97-1-85	SPRING WASHER M8	1	R 2.64
21	EL-9-092-110	ZF80-00-162	SIDE STAND SPRING	1	R 13.12
22	XL-2-002-1	GB6172-86	NUT M10 X 1.25	1	R 4.39
23	See item 15	ZF80-2-00-04	FOOTREST UNIT	1	TBA
24	EL-1-022-110	ZF80-00-15	RUBBER FOOTREST LEVER	1	R 13.12
25	Local Purchase	GB91-86	PIN 2x25	1	TBA

**IMPORTANT NOTICE !!!! PRICES QUOTED ARE INCLUSIVE OF VAT AND EX JHB.
PRICES MAY VARY FROM DEALER TO DEALER. PRICES MAY CHANGE WITHOUT NOTICE.**

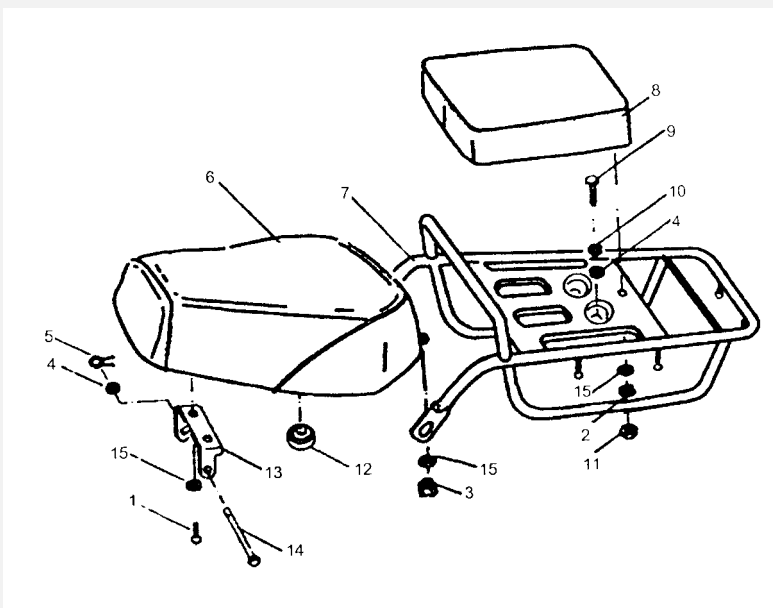
FUEL TANK



Ref	Part Code	Manf P/N	Description	Q'ty	Price Incl
1	EL-4-124-2	39520	BUFFER	1	R 4.35
2	EL-4-004-3	39460	DECORATIVE CORNER	1	R 17.51
3	EL-4-001-1	1301	FUEL TANK CAP	1	R 43.78
4	EL-4-004-4	39491	DECORATIVE TRIM	1	R 17.51
5	EL-4-004-5	00-19	FUEL TANK WELDMENT	1	R 174.56
6	XL-1-052-1	GB5783-86	BOLT M6 X 22	1	R 5.27
7	XL-1-047-10	GB96-85	WASHER 6	1	R 4.39
8	EL-4-124-3	39581	SOFT WASHER	1	R 4.35
9	EL-4-124-4	39551	WASHER	1	R 4.35
10	EL-4-010-1	ZF50Q-4A-1301	FUEL VALVE	1	R 35.00

**IMPORTANT NOTICE !!!! PRICES QUOTED ARE INCLUSIVE OF VAT AND EX JHB.
PRICES MAY VARY FROM DEALER TO DEALER. PRICES MAY CHANGE WITHOUT NOTICE.**

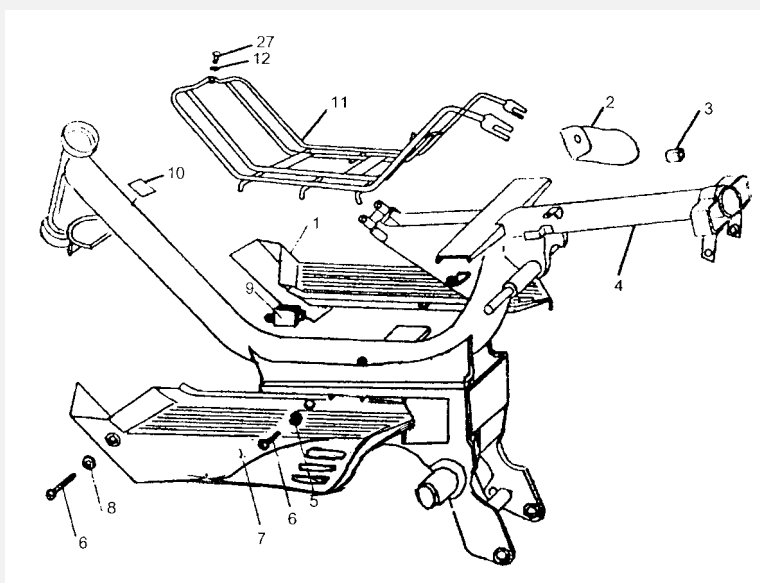
MAIN SEAT TANDEM SEAT, LUGGAGE CARRIER



Ref	Part Code	Manf P/N	Description	Q'ty	Price Incl
1	XL-1-037-19	GB5783-85	SCREW M6 X 16	1	R 5.27
2	XL-1-047-10	GB93-87	WASHER 6	1	R 4.39
3	XL-2-002-1	GB923-88	NUT M10 X 1.25	1	R 4.39
4	XL-1-652-4	GB97-1-85	WASHER 8	1	R 4.39
5	Local Purchase	GB91-86	PIN 3.2x22	1	TBA
6	EL-9-010-1	11-	MAIN SEAT	1	R 226.92
7	EL-9-011-1	14	REAR FRAME ASSEMBLY	1	R 122.21
8	EL-9-010-2	12	TANDEM SEAT	1	R 122.21
9	XL-2-011-1	GB5783-86	BOLT M8 X 20	1	R 7.03
10	XL-1-652-4	GB93-87	WASHER 8	1	R 4.39
11	XR-1-652-7	GB6170-86	NUT M6	1	R 4.39
12	EL-9-066-1	39518	CUSHION RUBBER SEAT	1	R 13.12
13	EL-9-064-1	39579	LINK SEAT	1	R 13.12
14	TM-9-276-1	00-7	BOLT M8x60	1	R 7.03
15	XL-1-652-4	GB96-85	WASHER 8	1	R 4.39

**IMPORTANT NOTICE !!!! PRICES QUOTED ARE INCLUSIVE OF VAT AND EX JHB.
PRICES MAY VARY FROM DEALER TO DEALER. PRICES MAY CHANGE WITHOUT NOTICE.**

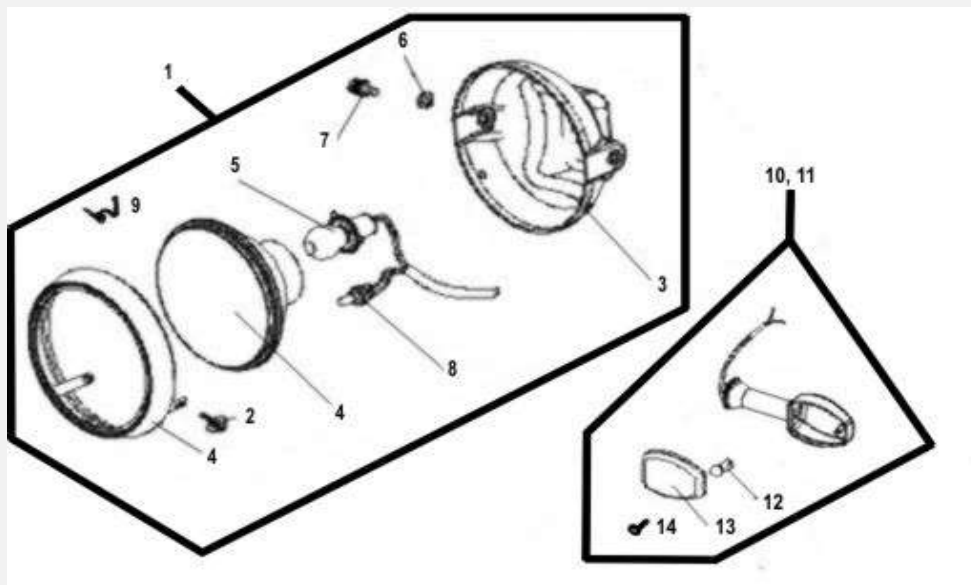
FRAME, TOOL KIT, SHIELD, MIDDLE LUGGAGE CARRIER



Ref	Part Code	Manf P/N	Description	Q'ty	Price Incl
1	XL-9-007-BLK-1	00-14	RIGHT COVER PLATE	1	R 139.56
	XL-9-007-SIL-1				TBA
2	BA/EL/TOOLK	ZF80-20	TOOL KIT	1	TBA
4	Not Available	39457	FRAME	1	TBA
5	XL-1-047-10	GB97-1-85	WASHER 6	1	R 4.39
6	XL-1-050-4	GB818-85	BOLT M6×16	1	R 5.27
7	XL-9-006-BLK-1	00-15	LEFT COVER PLATE	1	TBA
	XL-9-006-SIL-1				TBA
8	XL-1-047-10	GB96-85	WASHER 6	1	R 4.39
9	XL-10-022-1	51	VOLTAGE REGULATOR - RECTIFIER	1	R 78.60
11	EL-11-001-1	ZF50Q-10-15	CENTER CARRIER	1	R 52.35
12	XL-1-047-10	GB96-85	WASHER 6	1	R 4.39
13	XL-1-050-4	GB5783-86	BOLT M6×16	1	R 5.27

**IMPORTANT NOTICE !!!! PRICES QUOTED ARE INCLUSIVE OF VAT AND EX JHB.
PRICES MAY VARY FROM DEALER TO DEALER. PRICES MAY CHANGE WITHOUT NOTICE.**

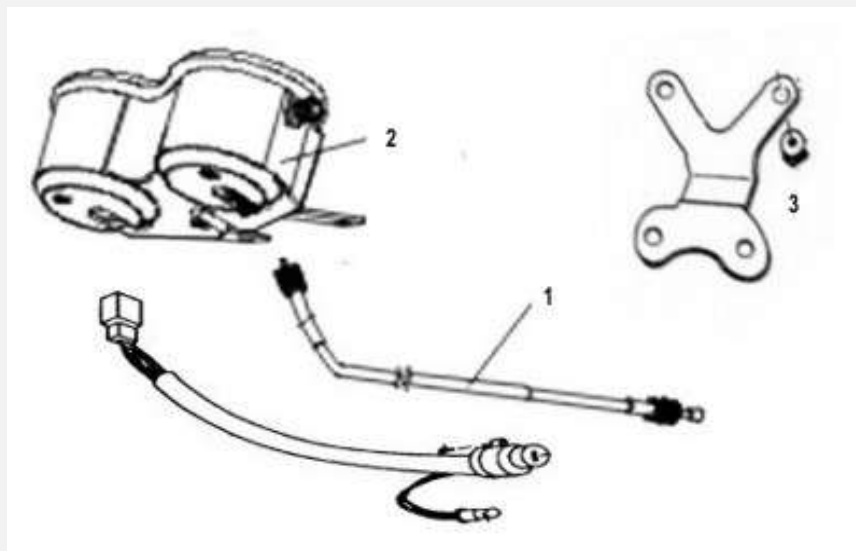
HEADLIGHT, FRONT FLASHER



Ref	Part Code	Manf P/N	Description	Q'ty	Price Incl
1	EL-10-005-1	ZF80-2A-58	HEADLIGHT ASSEMBLY	1	R 314.13
2	XL-3-001-4	GB9074-1-88	BOLT M5x8	1	R 4.39
3	EL-11-150-6	ZF60-58-02	HOLDER	1	R 43.78
4	EL-11-150-7	ZF60-58-1	LENS ASSEMBLY	1	R 43.78
5	CC-10-007-35	沪Q/QBQ30081-88	BULB 35W/35W12V	1	R 37.19
6	XL-1-652-4	GB97-1-85	WASHER 8	1	R 4.39
7	XL-8-002-4	GB5783-86	BOLT M8 X 25	1	R 7.03
8	XL-10-008-5	QB888-83	POSITION BULB 5W12V	1	R 8.74
9	Part of item 3	ZF60-58-3	CLIP	1	TBA
10	RM-10-007-1	58-01-A	FRONT INDICATOR RH	1	R 94.21
11	RM-10-007-2	58-02-A	FRONT INDICATOR LH	1	R 94.21
12	XL-10-012-10	Q/ZFYP41-85	12V 10W TURN LIGHT BULB	1	R 8.74
13	EL-10-007-10	58-1A	LENS	1	R 17.51
14	EL-10-007-11	GB845-85	SCREW 2.9x32	1	R 26.25

**IMPORTANT NOTICE !!!! PRICES QUOTED ARE INCLUSIVE OF VAT AND EX JHB.
PRICES MAY VARY FROM DEALER TO DEALER. PRICES MAY CHANGE WITHOUT NOTICE.**

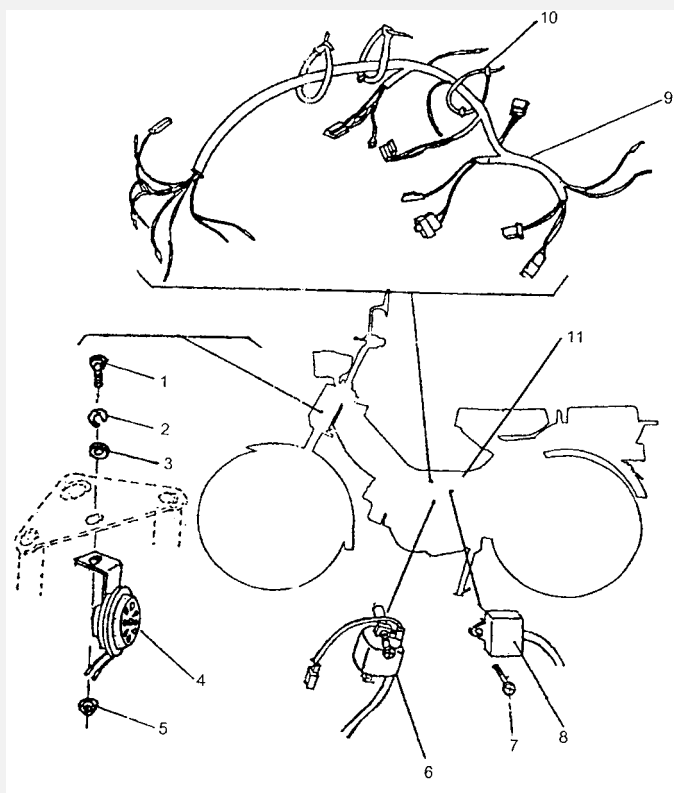
SPEEDOMETER



Ref	Part Code	Manf P/N	Description	Q'ty	Price Incl
1	XL-1-018-1	ZF35ZL-43	SPEEDOMETER CABLE	10	R 69.98
2	XL-10-026-110	ZF5-412000-0	SPEEDOMETER ASSEMBLY	10	R 174.56
3	TM-10-026-2	ZF70-00-03	BRACKET	0	R 56.79

**IMPORTANT NOTICE !!!! PRICES QUOTED ARE INCLUSIVE OF VAT AND EX JHB.
PRICES MAY VARY FROM DEALER TO DEALER. PRICES MAY CHANGE WITHOUT NOTICE.**

ELECTRICAL



Ref	Part Code	Manf P/N	Description	Q'ty	Price Incl
1	XL-1-052-1	GB5783-86	BOLT M6 X 22	1	R 5.27
2	XL-1-047-10	GB91-1-85	WASHER 6	1	R 4.39
3	XL-1-047-10	GB93-87	WASHER 6	1	R 4.39
4	XL-10-009-1	55	HOOTER	1	R 35.00
5	XR-1-652-7	GB6170-86	NUT M6	1	R 4.39
6	XL-10-023-1	50	IGNITION COIL	1	R 69.87
7	XR-1-032-5	GB818-85	BOLT M6×18	1	R 209.48
8	XL-10-004-1	ZF80-00-08	CDI UNIT	1	R 83.70
9	XL-10-010-1	56	MAIN HARNESS	1	R 209.43
11	EL-10-001-110	YB4L-B	BATTERY	1	R 523.69
12	XL-10-011-1		INDICATOR FLASHER UNIT	1	R 26.25